



RETAIN-A-ROCK™ SEGMENTAL RETAINING WALL SYSTEM (SRW)

COMPANY HISTORY Page 2

INTRODUCTION

PROJECT PICTURES Page 3

SPECIFICATIONS Page 5

- Part 1: General
- Part 2: Materials
- Part 3: Execution

DETAIL DRAWINGS Page 11

INSTALLATION NOTES Page 28

- I1 Base Preparation
- I2 Base Course Installation
- I3 Block Fill and Back Fill
- I4 Ends and Joint Alignment
- I5 Geo Grid Installation
- I6 Top Block Installation



HISTORY

Design Concrete Systems Limited was incorporated in 1979. The company is located in Seaforth, Ontario, Canada. It is a CSA certified precast facility, which produces both wet cast and dry cast products. Over the last 31 years Design Concrete has manufactured a wide variety of products including retaining wall systems, sound barriers, fencing, septic tanks, agricultural products, flooring systems and Canada Post "Super Mail box" pads. Design Concrete Systems began as a division of C.J. Pink and Son Limited, a precast concrete company located in London, Ontario, Canada. C.J. Pink was founded in 1932.

INTRODUCTION

Retain-A-Rock™ utilizes the power of gravity to provide strength and stability, and is quickly becoming a standard in the retaining wall industry. *Retain-A-Rock™* blocks are designed with the look of natural stone using high strength concrete, ensuring a wall that will stand the test of time. Recycled and/or returned concrete is never used in the manufacturing process. *Retain-A-Rock™* is a fully engineered retaining wall, which makes it the first choice for project engineers, landowners and installers.

The *Retain-A-Rock™* system is comprised of a standard 2.23 square meter block that measures 8' long and 3' high, making the most out of every block placement. Various block accessories are available which are used to achieve different wall heights and can accommodate almost any wall design.

Retain-A-Rock™ blocks allow contractor's to make efficient use of equipment and eliminate intense labor that is required for average retaining wall systems. Other systems can require 5-10 blocks to equal the size of one *Retain-A-Rock™*. The gravity retaining wall system has the ability to create 2.7-3.7 meter high walls without the use of mechanical tiebacks and often do not require geo-grid in most applications. This eliminates conflicts with utility easements which are often otherwise relocated. Higher walls can be achieved using geo textile, based on engineer's recommendations.

The blocks are cast in high quality moulds, precision formed to maintain accuracy on every piece. Blocks are manufactured with a void in the center saving material and promoting freight savings. Upon installation, the blocks are filled with specified aggregate to create a self-draining wall system and connection of the blocks.

The system is produced in a CSA certified facility and is designed to comply with the Canadian Highway Bridge Design Code.

Retain-A-Rock™ will benefit the owner, engineer and installer throughout the project. We are looking forward to assisting you with your future retaining wall applications. Please contact us or visit our website at [**www.designconcrete.ca**](http://www.designconcrete.ca)



Honda Dealership- Hanover, Ontario



Waste Transfer Station- Strathroy, Ontario



Mariner Estates- Grimsby, Ontario



Mariner Estates- Grimsby, Ontario



SPECIFICATIONS

PART 1: GENERAL

1.1 SCOPE

- A. This work includes the furnishing and installing of precast segmental retaining wall units to the lines and grades supplied on the plans and specified herein.

1.2 REFERENCES

CHBDC - Canadian Highway Bridge Design Code
ASTM C39 – Standard Test Method for Compressive Strength of Cylindrical Concrete Specimens
ASTM C136 – Standard Test Method for Sieve Analysis of Fine and Coarse Aggregate
ASTM C1372 – Segmental Retaining Wall Units
ASTM D698 – Standard Test Method for Laboratory Compaction Characteristics of Soil Using Standard Effort

1.3 SUBMITTALS

- A. The Contractor shall submit working drawings for *Retain-A-Rock™* RSS. The submission shall bear the seal and signature of the Design Engineer and the Design Check Engineer. The RSS superintendent shall have a copy of the working drawings in his possession at all times. At least two weeks prior to commencement of construction of the RSS, the Contractor shall submit to the Contract Administrator, three sets of working drawings. The shop drawings shall indicate the layout, height, and geo grid reinforcement (if applicable) of the RSS. Design shall conform to the Canadian Highway and Bridge Design Code. Upon request, design calculations shall also be submitted.
- B. The Contractor or Owner's Representative shall establish the alignment of the bottom of the wall, the top wall elevations and final ground line elevations at the bottom of the wall. The manufacturer shall use these elevations to develop the layout and fabrication drawings including elevations of each wall indicating top and bottom of wall elevations. The final ground elevations and wall alignments established in the field shall be protected by the Contractor for the duration of the project and shall not be adjusted without prior approval of the Engineer.
1. The Contractor or Owner's Representative shall carry out site inspections to determine soil parameters, water tables, location of underground services and above grade obstructions.
 2. The contractor shall submit to the contract Administrator a Certificate of Conformance sealed and signed by the project Quality Verification Engineer upon completion of each of the following milestones, and prior to commencement of subsequent operations on the RSS:
 - A. Layout and marking of all lines and grades needed to construct the RSS; and construction of the alignment elements where applicable.
 - B. Delivery and storage on site of product and reinforcing elements (where applicable).



- C. Installation of product; placement and compaction of the backfill for RSS; and reinforcing elements (where applicable).
- D. Completion of the RSS

C. The certificate of Conformance shall state that the work has been carried out in general conformance with the contract documents and stamped drawings. For RSS where the design height is greater than 3.0 m, the contractor shall submit a series of Certificates of Conformance for milestones corresponding to the constructed height of the RSS at 3m, 6m, 9m, 12m and 15m as applicable up to and including the design height.

1.4 DELIVERY, STORAGE AND HANDLING

- A. Contractor shall check the materials upon delivery to assure proper material has been received.
- B. Contractor shall prevent excessive mud, concrete and like materials from coming into contact with the materials.
- C. Contractor shall protect materials from damage. Damaged material shall not be incorporated in the project.

1.5 CONSTRUCTION QUALITY CONTROL

- A. The contractor is responsible to ensure that all materials and installation meet the quality specified in the approved drawings.
- B. The contractor shall verify that installation is performed in accordance with the specifications and construction drawings.

1.6 QUALITY ASSURANCE

- A. Any visual blemishes shall be repaired as per Manufacturer's specifications.
- B. The owner is responsible to engage testing and inspection services to provide independent quality assurance if required.
- D. Compaction testing shall be done a minimum of every 1 foot of vertical fill and every 100 lineal feet along the wall, or as per project engineer's requirements
- E. Testing shall be done at a variety of locations to cover the entire backfill zone.
- F. The independent inspection professional should perform tests to the satisfaction of the project engineer to verify that wall installation conforms to the design drawings and specifications.

~ END OF SECTION ~



PART 2: MATERIALS

2.1 WALL UNITS

- A. Segmental units shall be *Retain-A-Rock*TM units manufactured under license from Design Concrete Systems Ltd. Units shall be made in accordance with CAN/CSA A23.3-04, and designed in accordance with the Canadian Highway Bridge Design Code.
- B. Concrete for segmental units shall have minimum 28-day strength of 35 MPA. Entrained air content shall be between 5-7% unless otherwise specified on drawings.
- C. Reinforcing steel shall have minimum yield strength of 400 MPa and conform to CAN/CSA-G30.18-M92. Galvanized reinforcing shall be hot dip galvanized after fabrication in accordance with CSA Standard G164-M.
- D. Block design shall be sealed by a Professional Engineer. The color of the units shall be concrete gray and the finish shall be a “rock pattern”.

2.2 BLOCK FILL

NOTE: Aggregate type and gradation should be adjusted based on design and engineer’s recommendations.

- A. Fill should be a clean coarse aggregate with high angularity. The unit shall be screened 100 percent crushed aggregate meeting the following gradation.

<u>Standard Sieve Size</u>	<u>Percent Passing</u>
38mm	100
19mm	60-100
#4	0-40
#200	0-5

2.3 BACKFILL

- A. If a select granular reinforced zone is indicated, it shall consist of fill sand or other clean aggregate meeting the following gradation.

<u>Standard Sieve Size</u>	<u>Percent Passing</u>
19mm	100
#200	0-5

- B. All other backfill behind and in front of the wall shall consist of suitable on-site soil or imported borrow approved by the Geo Technical Engineer. Backfill shall generally consist of sands, silts, or lean clays with a liquid limit less than 45 and a plasticity index less than 20. Fat clay soils, cobbles, and large rock should generally be avoided unless approved by the Geo Technical Engineer based on local practices. Frozen soils, excessively wet or dry soils, debris and deleterious materials should not be used.

2.4 DRAIN TILE

- A. Drain tile should be used if shown on the plans or if indicated by local practices and conditions. If used, the drain tile should be perforated or slotted PVC or corrugated HDPE pipe complete with geo textile sock. The drain tile should be connected to storm drains or “day lighted” at low points and/or periodically along the wall alignment.



2.5 GEO GRID

- A. If geo grid reinforcement is required it shall be shown in the plans or as detailed in the shop drawings.
- B. Substitution of a different type of geo grid shall not be allowed unless approved by the site engineer, after submittal of shop drawings and test data.

2.6 GEO TEXTILE FABRIC

- A. If shown on the plans or the shop drawings provide a geo textile filter for separation from backfill at the tails of the blocks. The geo textile shall be a needle punched non-woven fabric with a minimum grab tensile strength of 120 pounds according to ASTM D4632.

~ END OF SECTION ~



PART 3: EXECUTION

3.1 EXCAVATION

- A. Excavate as required for installation of the retaining wall system. Excavate to the base level for a sufficient distance behind the face to permit installation of the base and geo grid reinforcement (if applicable).
- B. Slope or shore as necessary for safety and conformation to applicable Health and Safety Standards.

3.2 WALL BASE

- A. Foundation soils shall be excavated to grades shown on approved plans. Soils shall be investigated by a geotechnical engineer to confirm soils conform to the design conditions or assumptions.
- B. Wall base shall be constructed to the lines and grades shown on the approved plans. Base may be lean concrete or compacted granular, as required by the project engineer.
- C. If granular base is used, compact granular base material to provide a hard and level surface to support the wall units. Base material shall be compacted to a minimum of 95% Standard Proctor.
- D. Granular base material may be substituted with concrete in accordance with the geotechnical engineer's recommendations.

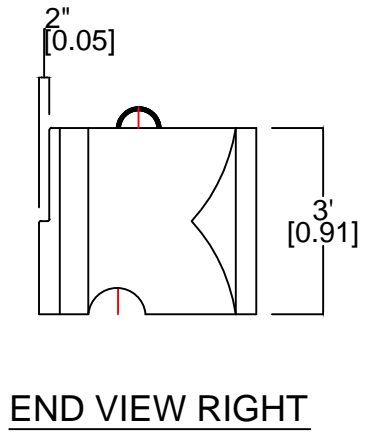
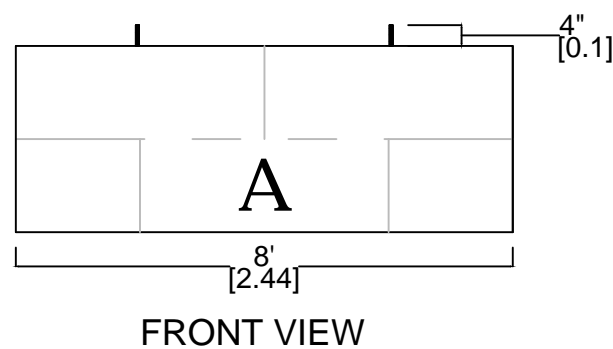
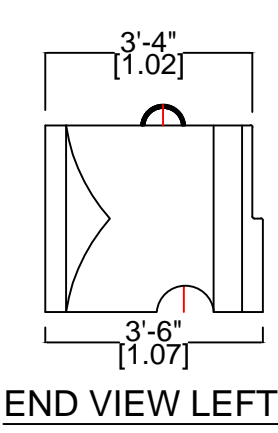
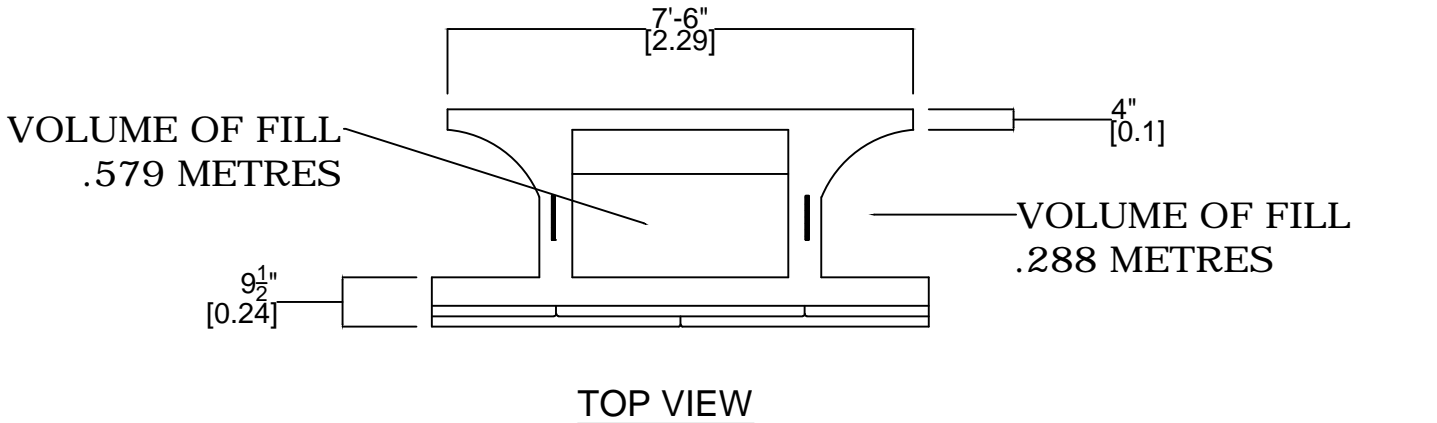
3.3 UNIT INSTALLATION

- A. Place the first course directly on the wall base. Check units for level and alignment. Adjacent units should be in contact. If possible, begin setting the units at the lowest part of the wall.
- B. Fill voids between and within the blocks with granular block fill. The block fill shall extend behind the block to the desired distance as recommended by the Geotechnical Engineer.
- C. Place backfill behind the units in maximum loose lifts of 203mm and compact. If select granular fill is required, it should extend the full length of the geo grid reinforcement. Compact all fill to a minimum of 95% Standard Proctor. Place backfill in successive lifts until it is level with the top of the facing unit.
- D. Remove all excess aggregate and other materials from the top of the units before setting the next course.
- E. For geo grid reinforced walls, place the correct geo grid at the locations and elevations shown on the plans or the shop drawings. Geo grid reinforcement shall be placed horizontally on compacted backfill. The length of the geo grid is measured from the front face of the wall. Extend the grid onto the front face flange of the facing unit. Orient the geo grid with the strong axis (machine direction) placed perpendicular to the wall face. Geo grid shall not be spliced by any means in the roll direction.
- F. Geo grids shall be placed side by side to provide complete coverage along the wall face. No overlap is required between adjacent grids on straight sections of wall. On convex curves, place a minimum of 76mm of backfill material between overlapping geo grid layers.



- G. Place the next course of segmental units in running bond with the previous course. Place the web notch over the alignment hoop protruding from the unit below, and pull the unit forward to contact the hoop.
- H. For geo grid reinforced walls, pull geo grids taut and stake the loose end before placing the next course of backfill. Backfill shall be placed, spread and compacted in such a manner as to minimize the development of wrinkles or movement in the geo grid. A minimum back fill depth of 152mm should be placed before operating equipment over the grids.
- I. Continue placing successive courses to the elevations as shown on the plans. Construct the wall levels in stages, placing the units at each course for the entire length of the wall whenever possible. **Block fill and backfill should be placed to the level of the top of the facing unit before placing the next course.**
- J. Provide temporary swales to divert runoff away from wall excavation and away from face. Final grade above and below the retaining wall shall provide for positive drainage and prevent ponding. It is a good practice to ensure a minimum of half of the base course block is buried, or as per project engineer. Protect completed wall from other construction. Do not operate large equipment or store materials above the wall that exceed the design surcharge loads.

~ END OF SECTION ~



A BLOCK

SQUARE FOOTAGE OF FACE - 24 ft.² [2.23 m²]
 WEIGHT -5,500 lbs. [2,495 kg.]
 VOLUME OF FILL - 46 ft.³ [1.3 m³]

TITLE
A BLOCK TECHNICAL DATA

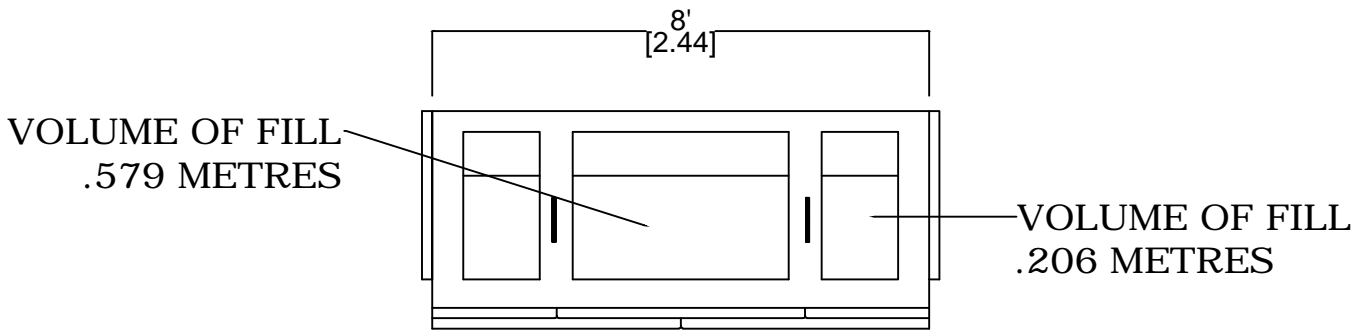
PROJECT
RETAIN-A-ROCK RETAINING WALL SYSTEM

DATE DEC. 27.10	DRAWN BY GKH	CHECKED BY	REVISED
--------------------	-----------------	------------	---------

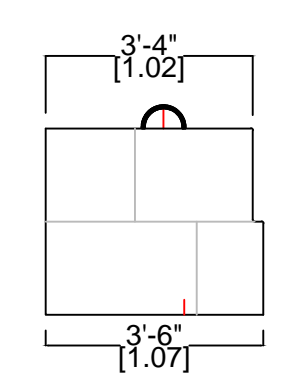
DC DESIGN CONCRETE SYSTEMS LIMITED
 63 BIRCH STREET, SEAFORTH ONTARIO
 N0K 1W0 CANADA
 PHONE (519) 527-6307
 FACSIMILE (519) 527-2325
 designconcrete.ca

JOB NUMBER

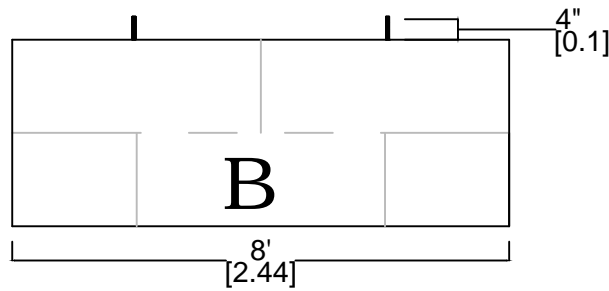
DRAWING NUMBER
RAR1



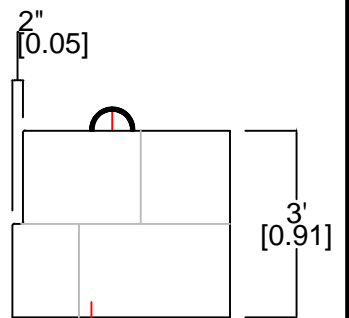
TOP VIEW



END VIEW LEFT



FRONT VIEW



END VIEW RIGHT

B BLOCK

SQUARE FOOTAGE OF FACE - 24 ft.² [2.23 m²]

WEIGHT -7,500 lbs. [3,402 kg.]

VOLUME OF FILL - 35.31³ft. [1 m³]

TITLE
B BLOCK TECHNICAL DATA

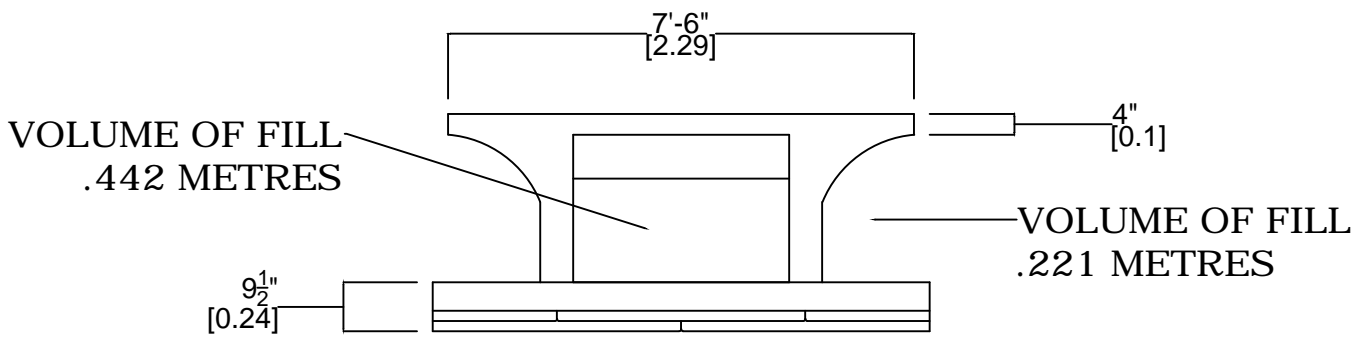
PROJECT
RETAIN-A-ROCK RETAINING WALL SYSTEM

DATE DEC. 27.10	DRAWN BY GKH	CHECKED BY	REVISED
--------------------	-----------------	------------	---------

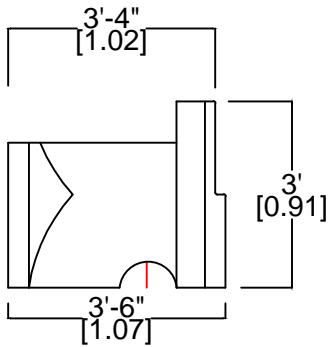
DC DESIGN CONCRETE
SYSTEMS LIMITED
63 BIRCH STREET, SEAFORTH ONTARIO
N0K 1W0 CANADA
PHONE (519) 527-6307
FACSIMILE (519) 527-2325
designconcrete.ca

JOB NUMBER

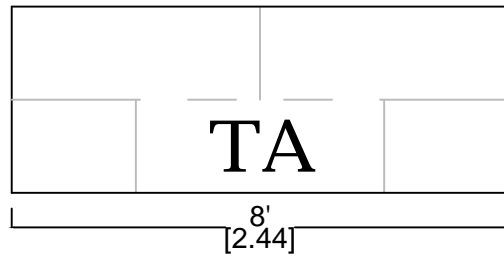
DRAWING NUMBER
RAR2



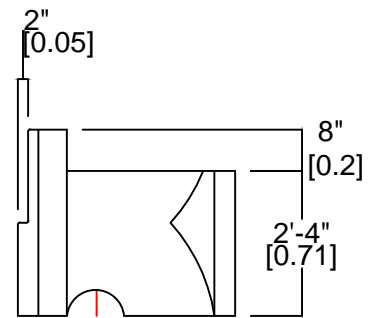
TOP VIEW



END VIEW LEFT



FRONT VIEW



END VIEW RIGHT

TA BLOCK

SQUARE FOOTAGE OF FACE - 24 ft.² [2.23 m²]

WEIGHT -5,000 lbs. [2,268 kg.]

VOLUME OF FILL - 40.6 ft.³ [1.15 m³]

TITLE

TA BLOCK TECHNICAL DATA

PROJECT

RETAIN-A-ROCK RETAINING WALL SYSTEM

DATE

DEC. 27.10

DRAWN BY

GKH

CHECKED BY

REVISED

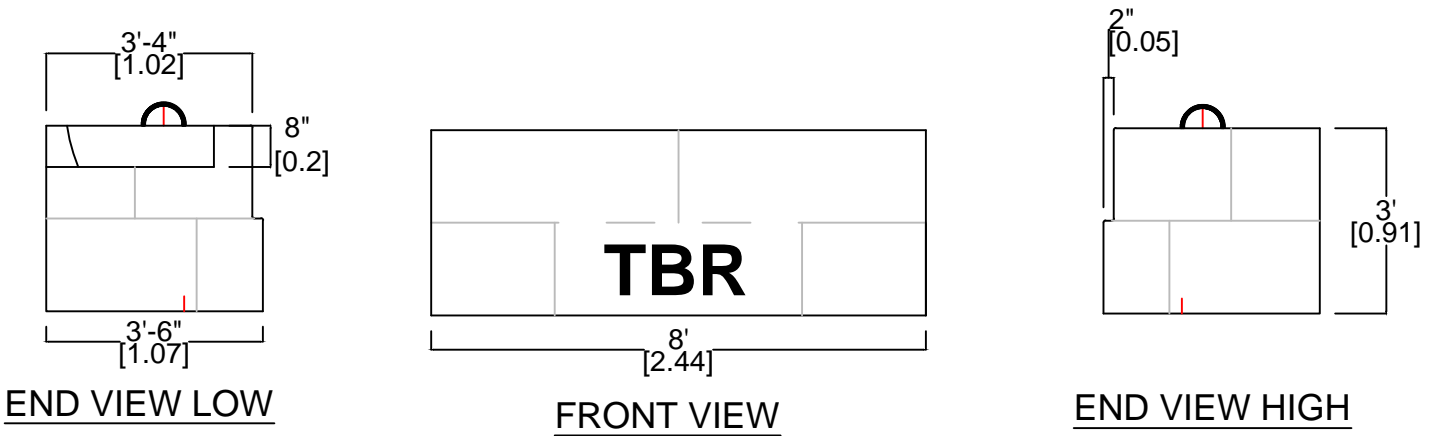
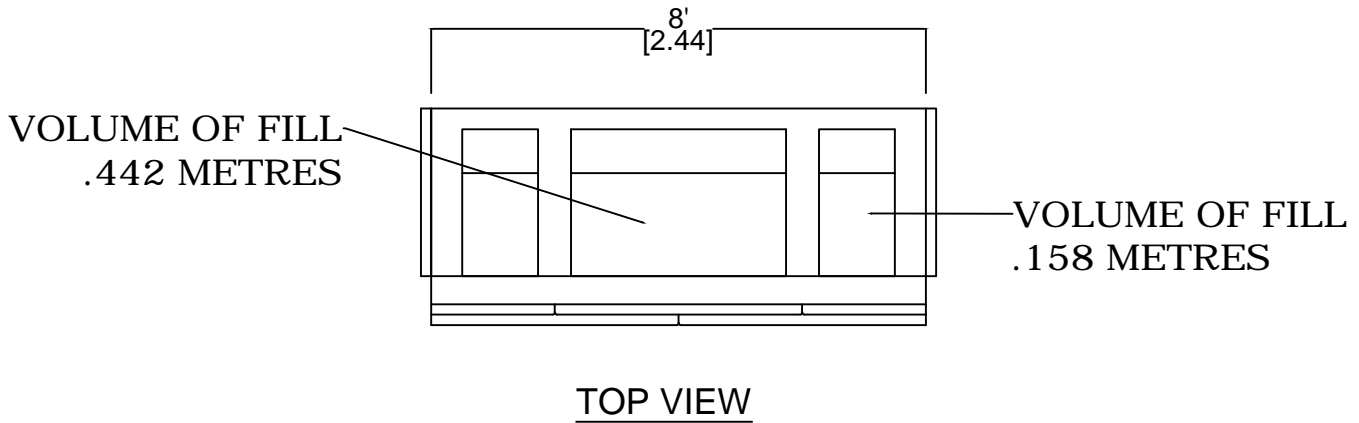


DESIGN CONCRETE
SYSTEMS LIMITED
63 BIRCH STREET, SEAFORTH ONTARIO
N0K 1W0 CANADA
PHONE (519) 527-6307
FACSIMILE (519) 527-2325
designconcrete.ca

JOB NUMBER

DRAWING NUMBER

RAR3



TBR/L BLOCK

SQUARE FOOTAGE OF FACE - 24 ft.² [2.23 m²]

WEIGHT -7,000 lbs. [3,175 kg.]

VOLUME OF FILL - 35.31 ft.³ [1 m³]

TITLE
TBR/L BLOCK TECHNICAL DATA

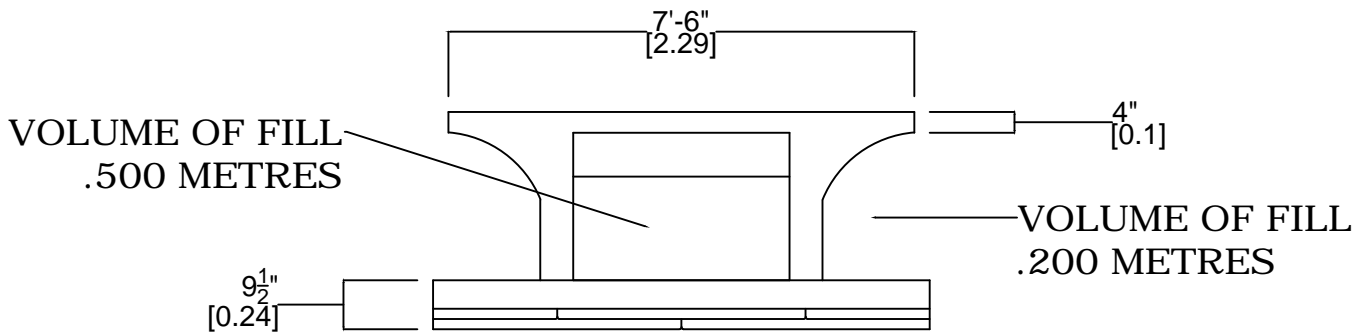
PROJECT
RETAIN-A-ROCK RETAINING WALL SYSTEM

DATE DEC. 27.10	DRAWN BY GKH	CHECKED BY	REVISED
--------------------	-----------------	------------	---------

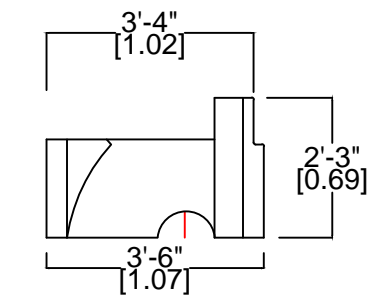
DC DESIGN CONCRETE
SYSTEMS LIMITED
63 BIRCH STREET, SEAFORTH ONTARIO
N0K 1W0 CANADA
PHONE (519) 527-6307
FACSIMILE (519) 527-2325
designconcrete.ca

JOB NUMBER

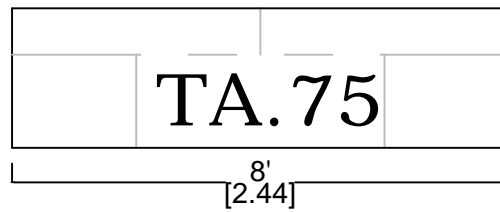
DRAWING NUMBER
RAR4



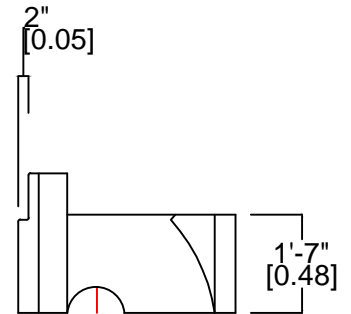
TOP VIEW



END VIEW LEFT



FRONT VIEW



END VIEW RIGHT

TA.75 BLOCK

SQUARE FOOTAGE OF FACE - 18 ft.² [1.67 m²]

WEIGHT -4,500 lbs. [2,041 kg.]

VOLUME OF FILL - 32 ft.³ [0.9 m³]

TITLE

TA.75 BLOCK TECHNICAL DATA

PROJECT

RETAIN-A-ROCK RETAINING WALL SYSTEM

DATE

DEC. 27.10

DRAWN BY

GKH

CHECKED BY

REVISED

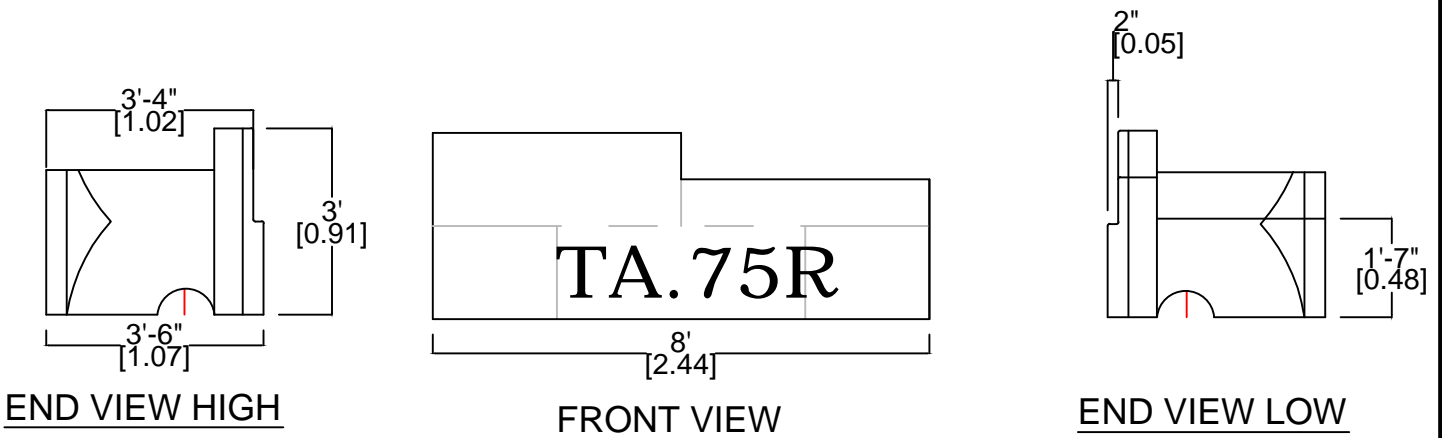
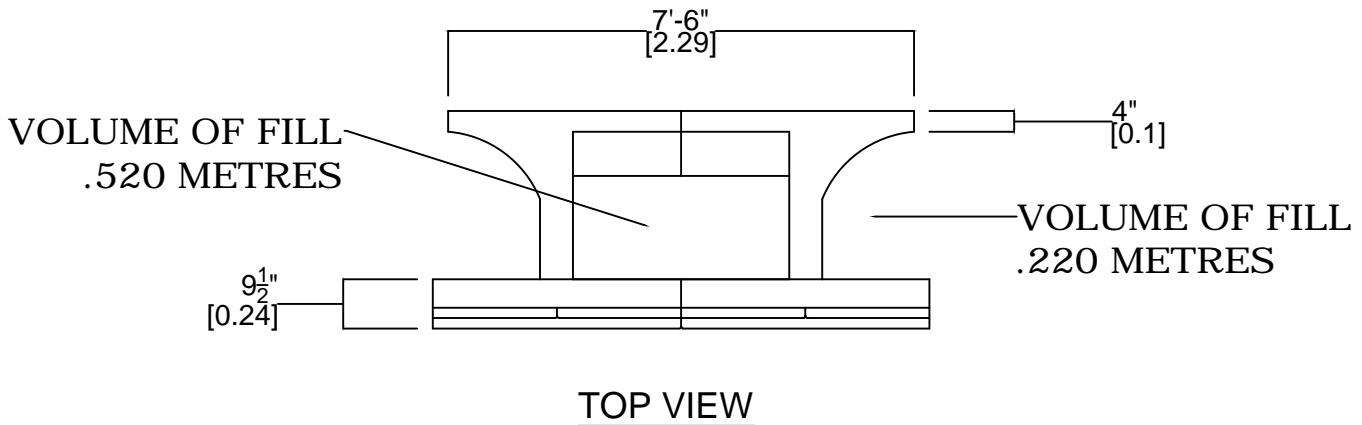


DESIGN CONCRETE
SYSTEMS LIMITED
63 BIRCH STREET, SEAFORTH ONTARIO
N0K 1W0 CANADA
PHONE (519) 527-6307
FACSIMILE (519) 527-2325
designconcrete.ca

JOB NUMBER

DRAWING NUMBER

RAR5



TA.75R/L BLOCK

SQUARE FOOTAGE OF FACE - 21 ft.² [1.95 m²]

WEIGHT -4,800 lbs. [2,177 kg.]

VOLUME OF FILL - 35.3 ft.³ [.94 m³]

TITLE
TA.75R/L BLOCK TECHNICAL DATA

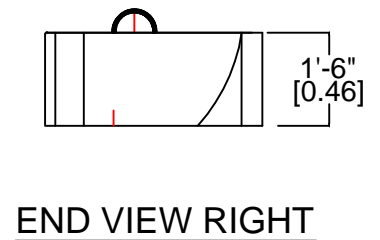
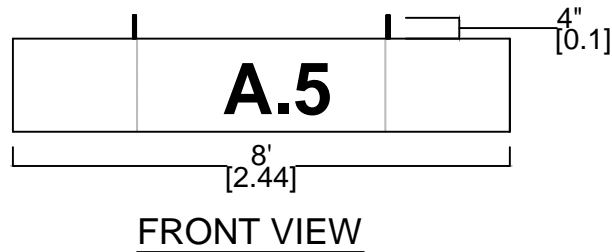
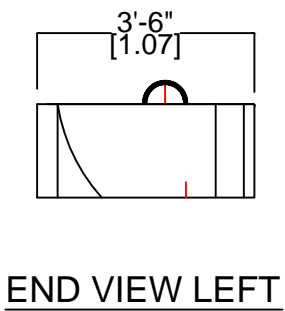
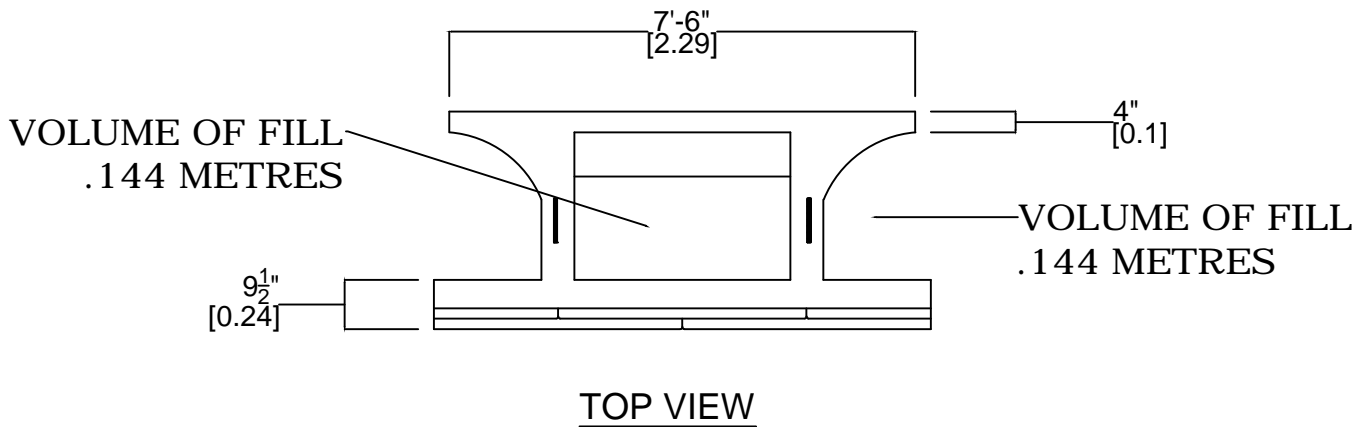
PROJECT
RETAIN-A-ROCK RETAINING WALL SYSTEM

DATE DEC. 27.10	DRAWN BY GKH	CHECKED BY	REVISED
--------------------	-----------------	------------	---------

DC DESIGN CONCRETE
SYSTEMS LIMITED
63 BIRCH STREET, SEAFORTH ONTARIO
N0K 1W0 CANADA
PHONE (519) 527-6307
FACSIMILE (519) 527-2325
designconcrete.ca

JOB NUMBER

DRAWING NUMBER
RAR6



A.5 BLOCK

SQUARE FOOTAGE OF FACE - 12 ft.² [1.15 m²]

WEIGHT - 2,650 lbs. [1,202 kg.]

VOLUME OF FILL - 26.5 ft.³ [.75 m³]

TITLE

A.5 BLOCK TECHNICAL DATA

PROJECT

RETAIN-A-ROCK RETAINING WALL SYSTEM

DATE

DEC. 27.10

DRAWN BY

GKH

CHECKED BY

REVISED

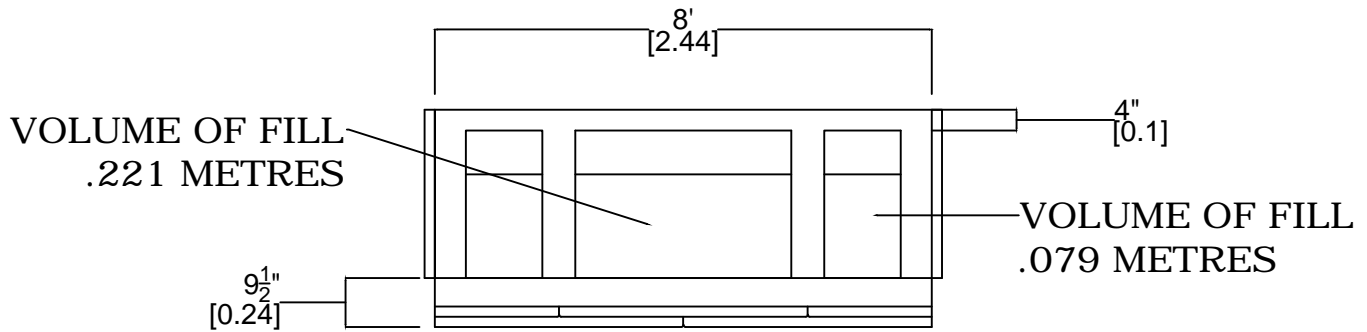


DESIGN CONCRETE
SYSTEMS LIMITED
63 BIRCH STREET, SEAFORTH ONTARIO
N0K 1W0 CANADA
PHONE (519) 527-6307
FACSIMILE (519) 527-2325
designconcrete.ca

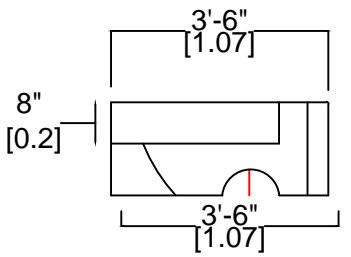
JOB NUMBER

DRAWING NUMBER

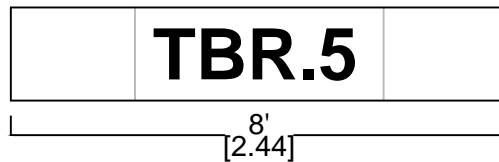
RAR7



TOP VIEW



END VIEW LOW



FRONT VIEW



END VIEW HIGH

TBR/L.5 BLOCK

SQUARE FOOTAGE OF FACE - 12 ft.² [1.15 m²]

WEIGHT -3,500 lbs. [1,588 kg.]

VOLUME OF FILL - 17.7 ft.³ [0.5 m³]

TITLE

TBR/L.5 BLOCK TECHNICAL DATA

PROJECT

RETAIN-A-ROCK RETAINING WALL SYSTEM

DATE

DEC. 27.10

DRAWN BY

GKH

CHECKED BY

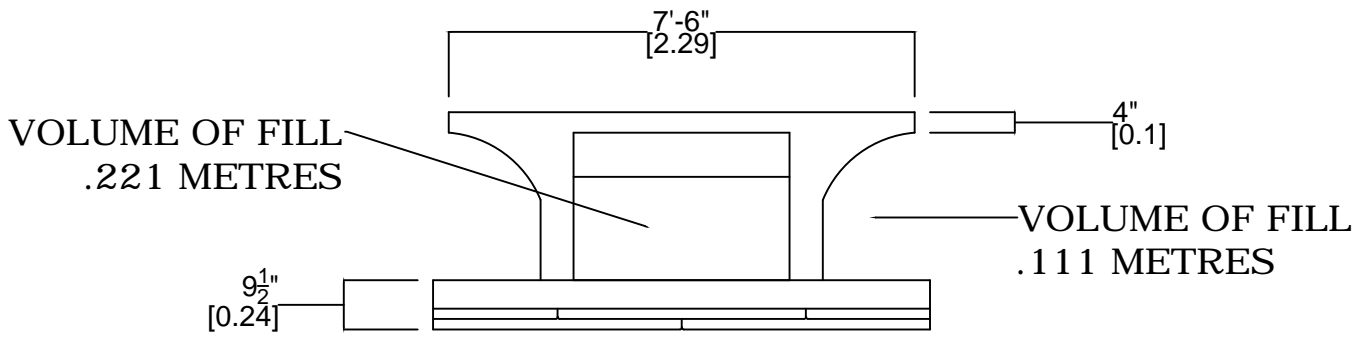
REVISED

DC DESIGN CONCRETE
SYSTEMS LIMITED
63 BIRCH STREET, SEAFORTH ONTARIO
N0K 1W0 CANADA
PHONE (519) 527-6307
FACSIMILE (519) 527-2325
designconcrete.ca

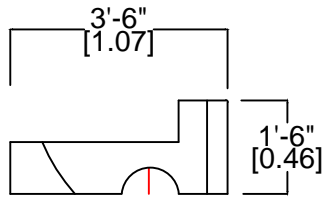
JOB NUMBER

DRAWING NUMBER

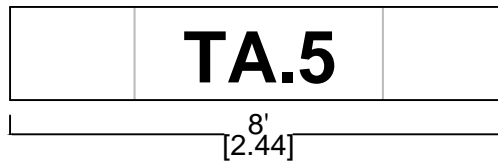
RAR8



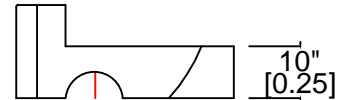
TOP VIEW



END VIEW LEFT



FRONT VIEW



END VIEW RIGHT

TA.5 BLOCK

SQUARE FOOTAGE OF FACE - 12 ft.² [1.15 m²]

WEIGHT -2,500 lbs. [1,134 kg.]

VOLUME OF FILL - 20.5 ft.³ [.58 m³]

TITLE

TA.5 BLOCK TECHNICAL DATA

PROJECT

RETAIN-A-ROCK RETAINING WALL SYSTEM

DATE

DEC. 27.10

DRAWN BY

GKH

CHECKED BY

REVISED

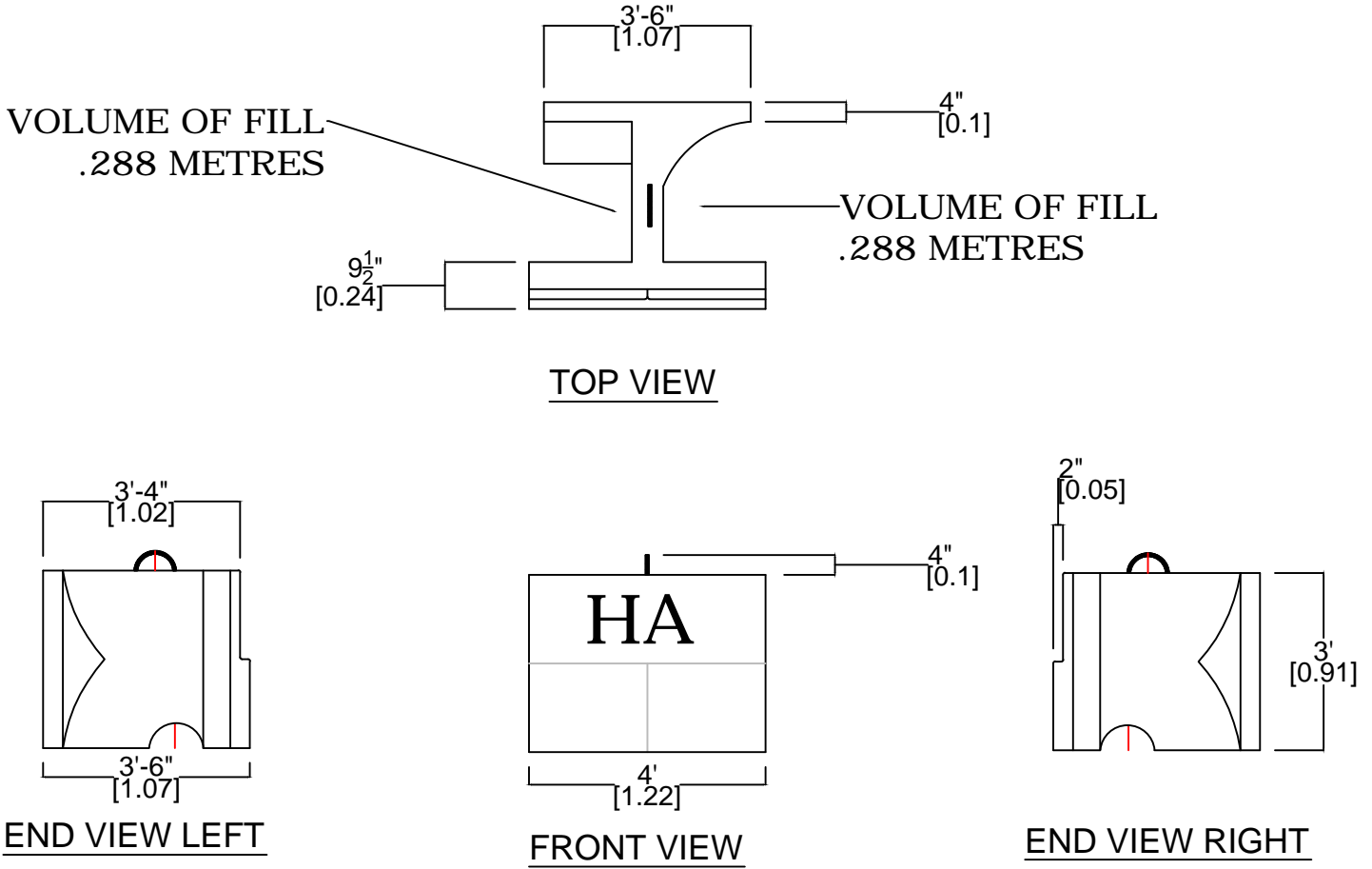


DESIGN CONCRETE
SYSTEMS LIMITED
63 BIRCH STREET, SEAFORTH ONTARIO
N0K 1W0 CANADA
PHONE (519) 527-6307
FACSIMILE (519) 527-2325
designconcrete.ca

JOB NUMBER


DRAWING NUMBER

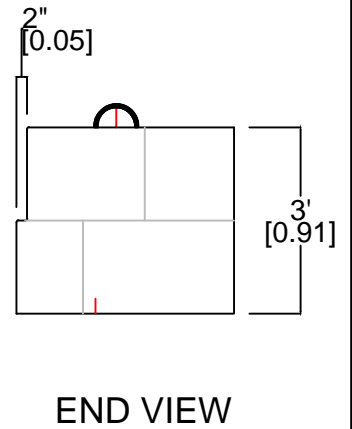
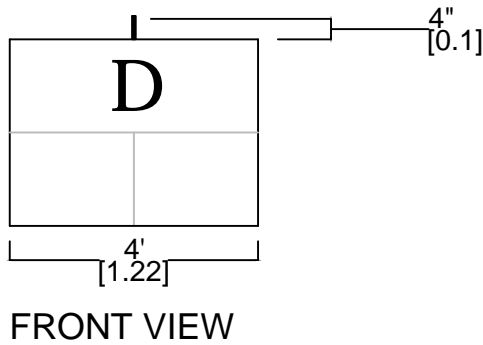
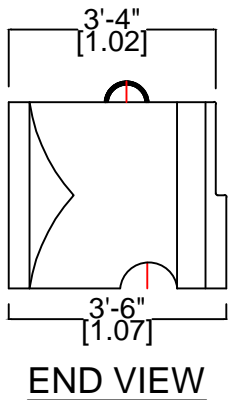
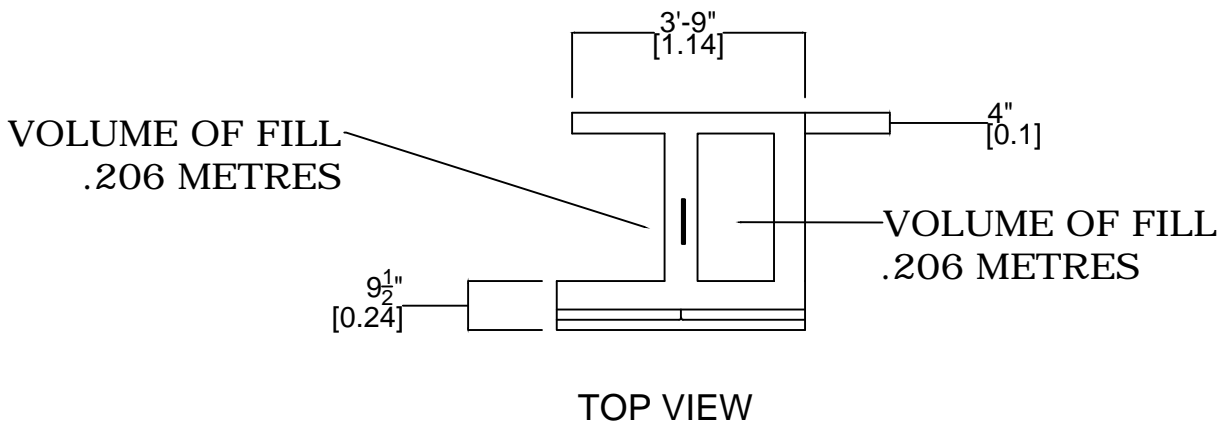
RAR9



HA BLOCK

SQUARE FOOTAGE OF FACE - 12 ft.² [1.11 m²]
 WEIGHT -2,500 lbs. [1,134 kg.]
 VOLUME OF FILL - 21 ft.³ [.58 m³]

TITLE <p style="text-align: center;"><u>HA BLOCK TECHNICAL DATA</u></p>				 DESIGN CONCRETE SYSTEMS LIMITED <small>63 BIRCH STREET, SEAFORTH ONTARIO N0K 1W0 CANADA PHONE (519) 527-6307 FACSIMILE (519) 527-2325 designconcrete.ca</small>
PROJECT <p style="text-align: center;"><u>RETAIN-A-ROCK RETAINING WALL SYSTEM</u></p>				
DATE DEC. 27.10	DRAWN BY GKH	CHECKED BY	REVISED	
				JOB NUMBER
				DRAWING NUMBER <p style="text-align: center;">RAR10</p>



C/D BLOCK

SQUARE FOOTAGE OF FACE - 12 ft.² [1.11 m²]

WEIGHT -3,250 lbs. [1,474 kg.]

VOLUME OF FILL - 25 ft.³ [.70 m³]

TITLE

C/D BLOCK TECHNICAL DATA

PROJECT

RETAIN-A-ROCK RETAINING WALL SYSTEM

DATE

DEC. 27.10

DRAWN BY

GKH

CHECKED BY

REVISED

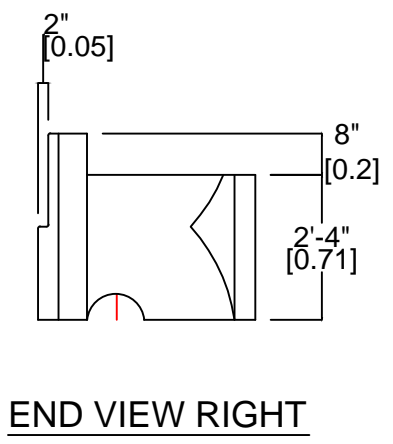
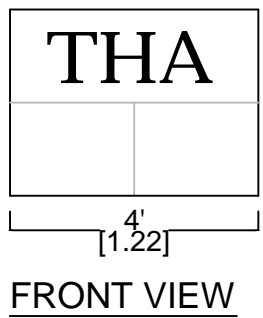
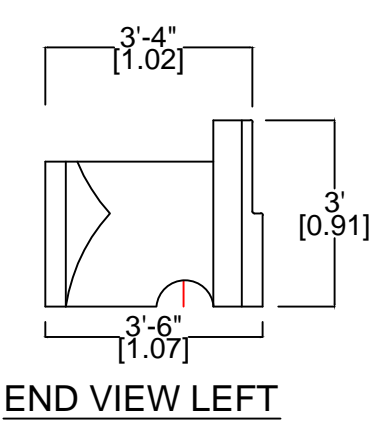
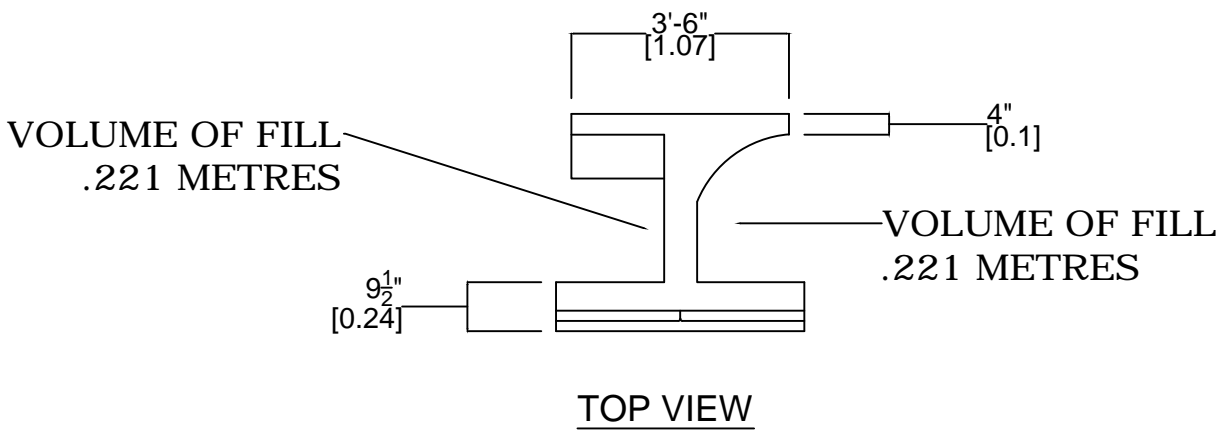


DESIGN CONCRETE
SYSTEMS LIMITED
63 BIRCH STREET, SEAFORTH ONTARIO
N0K 1W0 CANADA
PHONE (519) 527-6307
FACSIMILE (519) 527-2325
designconcrete.ca

JOB NUMBER

DRAWING NUMBER

RAR11



THA BLOCK

SQUARE FOOTAGE OF FACE - 12 ft.² [1.11 m²]
 WEIGHT -2,300 lbs. [1,043 kg.]
 VOLUME OF FILL - 25 ft.³ [.70 m³]

TITLE
THA BLOCK TECHNICAL DATA

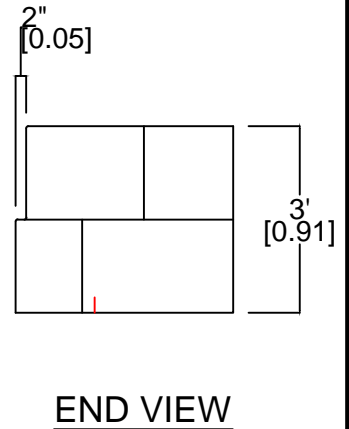
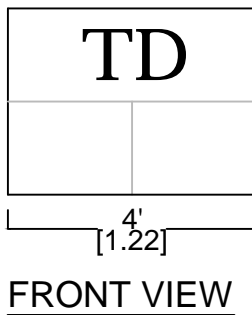
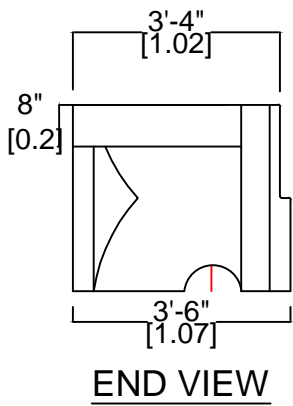
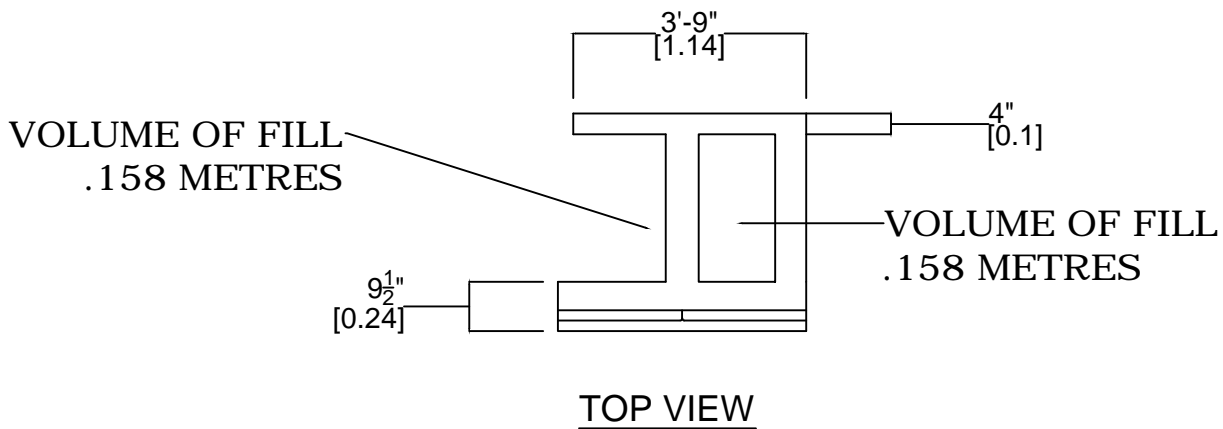
PROJECT
RETAIN-A-ROCK RETAINING WALL SYSTEM

DATE DEC. 27.10	DRAWN BY GKH	CHECKED BY	REVISED
--------------------	-----------------	------------	---------

DESIGN CONCRETE
 SYSTEMS LIMITED
 63 BIRCH STREET, SEAFORTH ONTARIO
 N0K 1W0 CANADA
 PHONE (519) 527-6307
 FACSIMILE (519) 527-2325
 designconcrete.ca

JOB NUMBER

DRAWING NUMBER
 RAR12



TC/D BLOCK

SQUARE FOOTAGE OF FACE - 12 ft.² [1.11 m²]

WEIGHT -3,500 lbs. [1,588 kg.]

VOLUME OF FILL - 18 ft.³ [.50 m³]

TITLE

TC/D BLOCK TECHNICAL DATA

PROJECT

RETAIN-A-ROCK RETAINING WALL SYSTEM

DATE

DEC. 27.10

DRAWN BY

GKH

CHECKED BY

REVISED

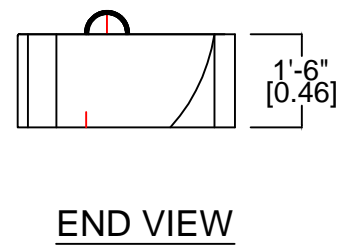
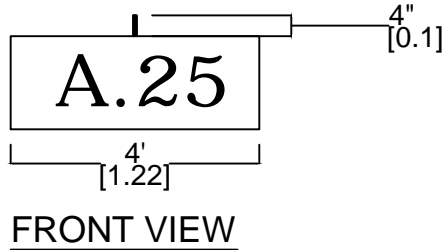
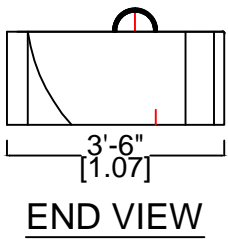
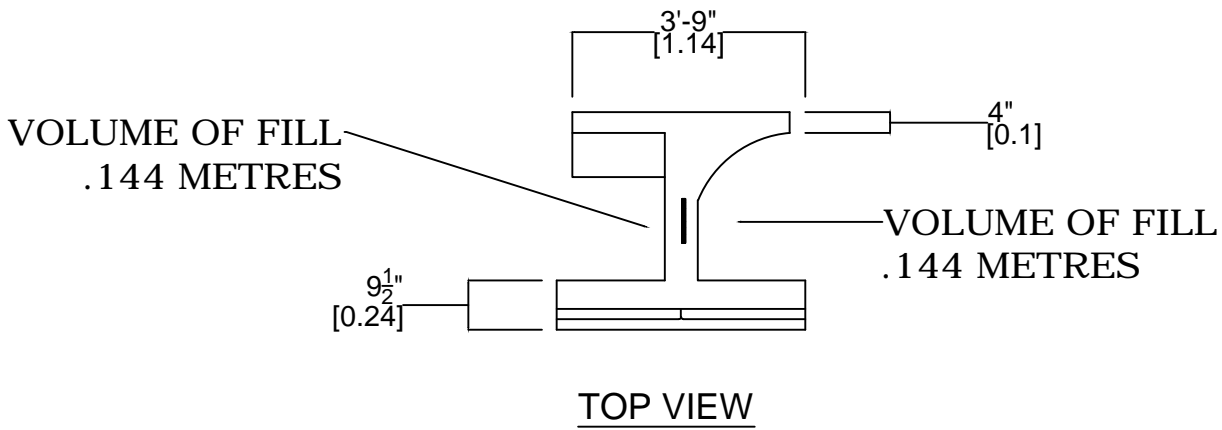


DESIGN CONCRETE
SYSTEMS LIMITED
63 BIRCH STREET, SEAFORTH ONTARIO
N0K 1W0 CANADA
PHONE (519) 527-6307
FACSIMILE (519) 527-2325
designconcrete.ca

JOB NUMBER

DRAWING NUMBER

RAR13



A.25 BLOCK

SQUARE FOOTAGE OF FACE - 6 ft. ²[0.56 m ²]

WEIGHT -1,250 lbs. [567 kg.]

VOLUME OF FILL - 13 ft. ³[.375 m ³]

TITLE
A.25 BLOCK TECHNICAL DATA

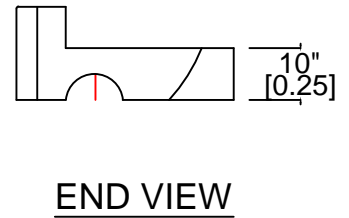
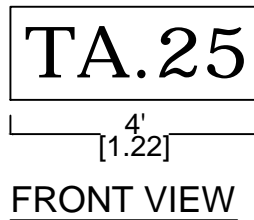
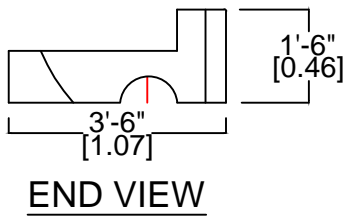
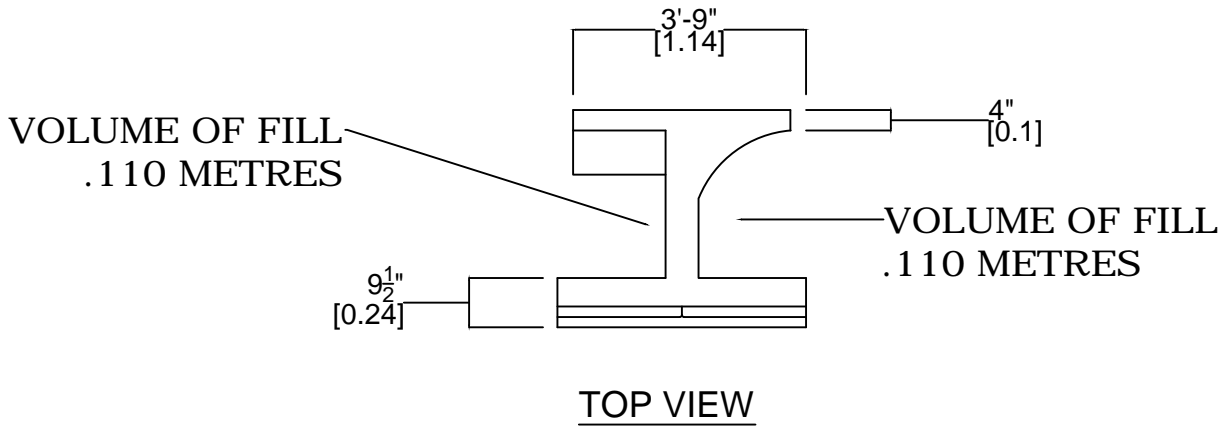
PROJECT
RETAIN-A-ROCK RETAINING WALL SYSTEM

DATE DEC. 27.10	DRAWN BY GKH	CHECKED BY	REVISED
--------------------	-----------------	------------	---------

DC DESIGN CONCRETE
SYSTEMS LIMITED
63 BIRCH STREET, SEAFORTH ONTARIO
N0K 1W0 CANADA
PHONE (519) 527-6307
FACSIMILE (519) 527-2325
designconcrete.ca

JOB NUMBER

DRAWING NUMBER
RAR14



TA.25 BLOCK

SQUARE FOOTAGE OF FACE - 6 ft.² [0.56 m²]

WEIGHT -1,150 lbs. [567 kg.]

VOLUME OF FILL - 12.5 ft.³ [0.35 m³]

TITLE

TA.25 BLOCK TECHNICAL DATA

PROJECT

RETAIN-A-ROCK RETAINING WALL SYSTEM

DATE

DEC. 27.10

DRAWN BY

GKH

CHECKED BY

REVISED

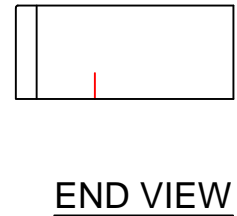
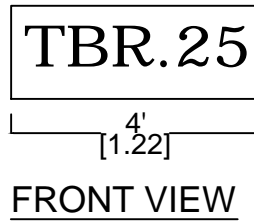
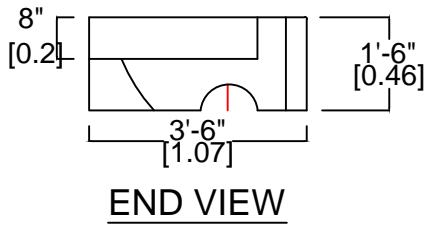
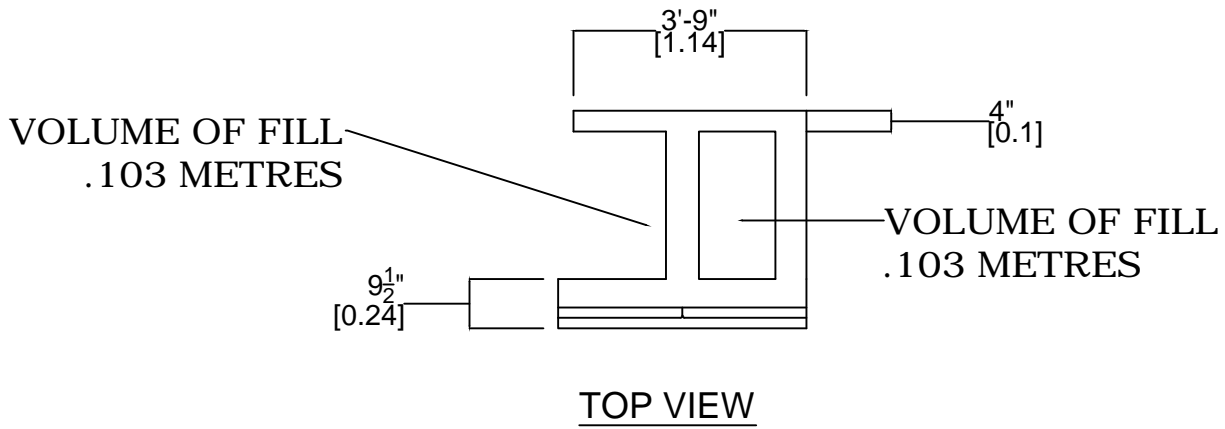


DESIGN CONCRETE
SYSTEMS LIMITED
63 BIRCH STREET, SEAFORTH ONTARIO
N0K 1W0 CANADA
PHONE (519) 527-6307
FACSIMILE (519) 527-2325
designconcrete.ca

JOB NUMBER

DRAWING NUMBER

RAR15



TBR/L.25 BLOCK

SQUARE FOOTAGE OF FACE - 6 ft. ²[0.56 m²]

WEIGHT -1,625 lbs. [737 kg.]

VOLUME OF FILL - 12.5 ft.³ [0.35 m³]

TITLE
TBR/L.25 BLOCK TECHNICAL DATA

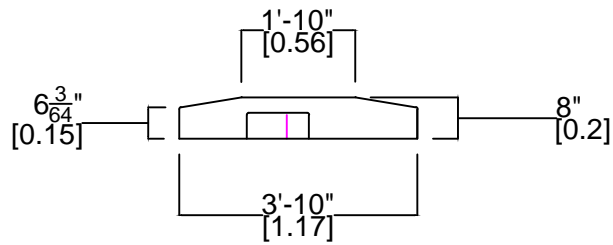
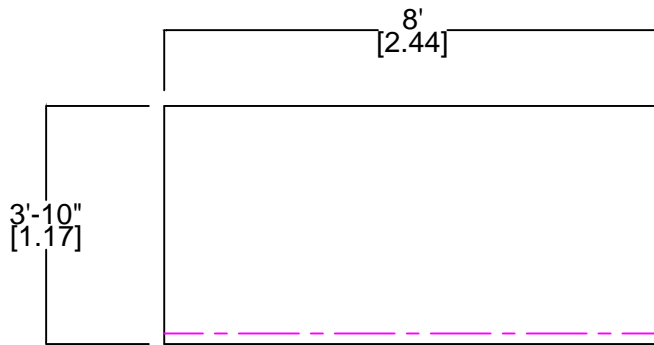
PROJECT
RETAIN-A-ROCK RETAINING WALL SYSTEM

DATE DEC. 27.10	DRAWN BY GKH	CHECKED BY	REVISED
--------------------	-----------------	------------	---------

DC DESIGN CONCRETE
SYSTEMS LIMITED
63 BIRCH STREET, SEAFORTH ONTARIO
N0K 1W0 CANADA
PHONE (519) 527-6307
FACSIMILE (519) 527-2325
designconcrete.ca

JOB NUMBER

DRAWING NUMBER
RAR16



TOP CAP

WEIGHT -2,100 lbs. [953 kg.]

TITLE
TOP CAP (OPTIONAL) TECHNICAL DATA

PROJECT
RETAIN-A-ROCK RETAINING WALL SYSTEM

DATE DEC. 27.10	DRAWN BY GKH	CHECKED BY	REVISED
--------------------	-----------------	------------	---------

DC DESIGN CONCRETE
SYSTEMS LIMITED
63 BIRCH STREET, SEAFORTH ONTARIO
N0K 1W0 CANADA
PHONE (519) 527-6307
FACSIMILE (519) 527-2325
designconcrete.ca

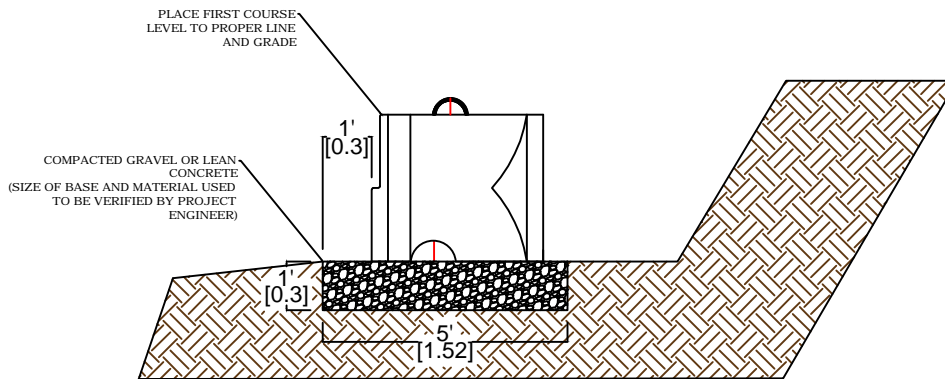
JOB NUMBER

DRAWING NUMBER
RAR17

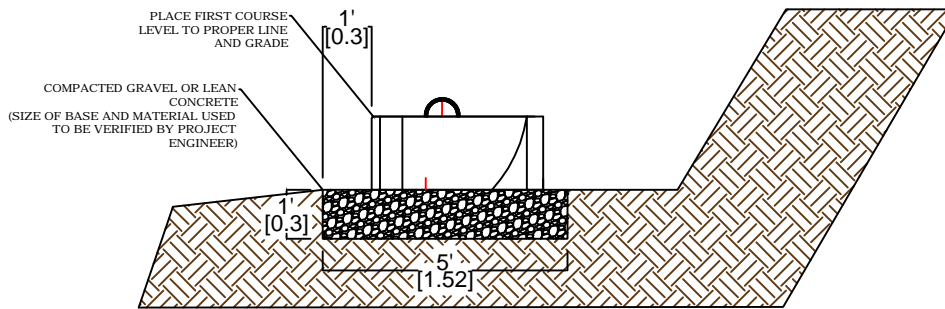
Layout the location and the length of the wall required as per project drawings. Excavate the base trench as shown in the wall base detail.

Note: When using a 24 square foot block see A Block wall base detail.
When using a 12 square foot block see A.5 Block wall base detail.

Information on this page is a guideline only and must be approved or modified by the project engineer to suit site specific conditions



A BLOCK WALL BASE DETAIL



A.5 BLOCK WALL BASE DETAIL

TITLE
WALL BASE INSTALLATION GUIDELINE

PROJECT
RETAIN-A-ROCK INSTALLATION GUIDELINES

DATE DEC. 27.10	DRAWN BY GKH	CHECKED BY	REVISED
--------------------	-----------------	------------	---------

DC DESIGN CONCRETE SYSTEMS LIMITED
63 BIRCH STREET, SEAFORTH ONTARIO
N0K 1W0 CANADA
PHONE (519) 527-6507
FACSIMILE (519) 527-2325
designconcrete.ca

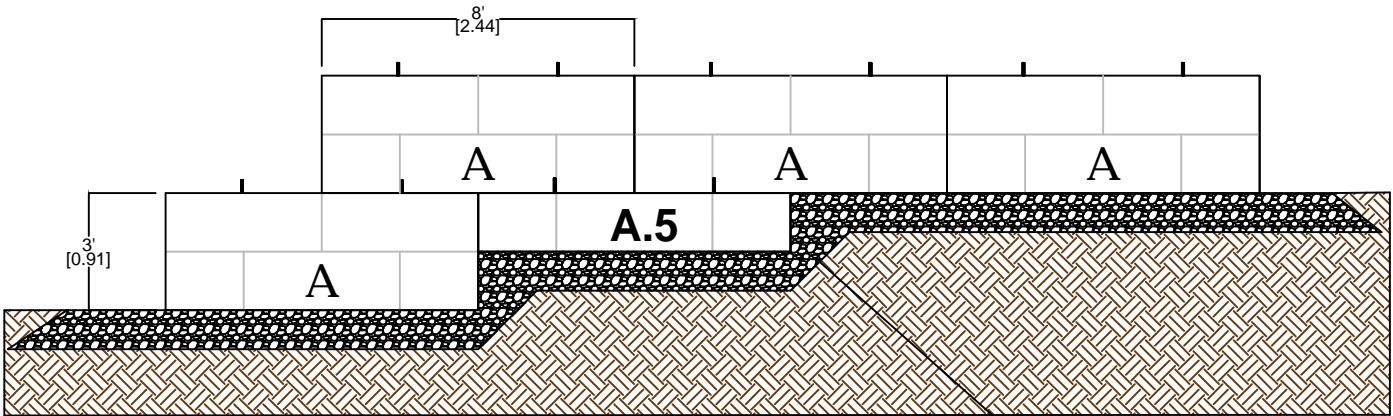
JOB NUMBER

DRAWING NUMBER
BASE1

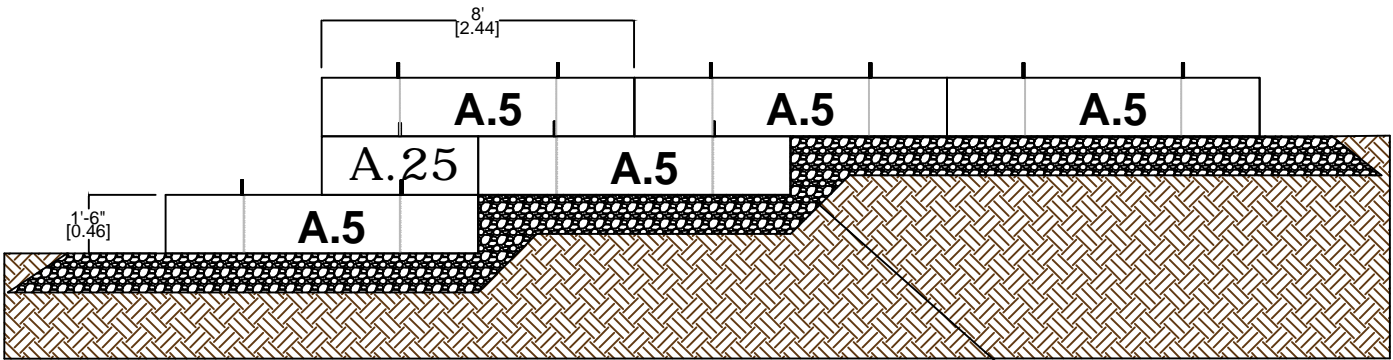
Always start the wall base at the lowest elevation of the wall if possible. Set wall elevations using a laser level and stakes prior to excavating.
This will make the wall installation much more efficient.

Note: When using a 24 square foot block see A Block wall base detail.
 When using a 12 square foot block see A.5 Block wall base detail.

Information on this page is a guideline only and must be approved or modified by the project engineer to suit site specific conditions



A BLOCK WALL BASE STEP DETAIL



A.5 BLOCK WALL BASE STEP DETAIL

TITLE
WALL BASE STEP INSTALLATION GUIDELINE

PROJECT
RETAIN-A-ROCK INSTALLATION GUIDELINES

DATE DEC. 27.10	DRAWN BY GKH	CHECKED BY	REVISED
--------------------	-----------------	------------	---------

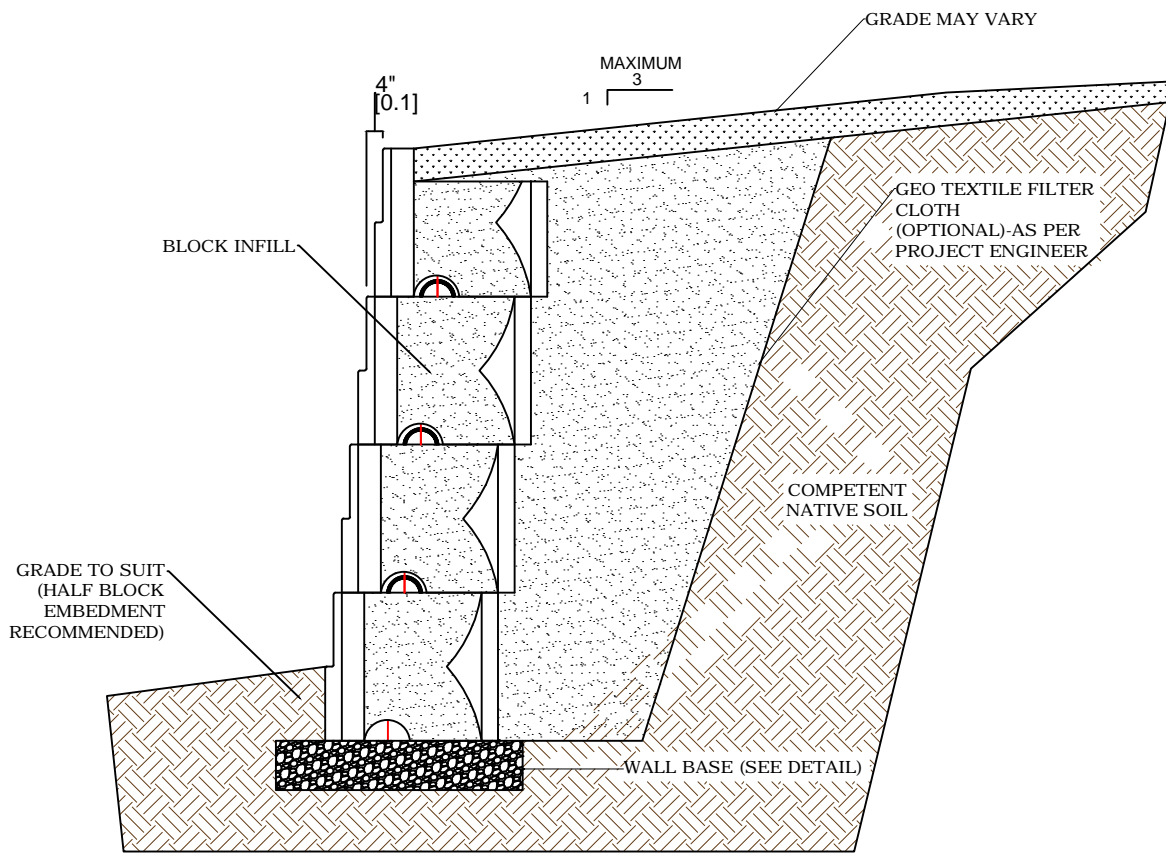
DC DESIGN CONCRETE SYSTEMS LIMITED
 63 BIRCH STREET, SEAFORTH ONTARIO
 N0K 1W0 CANADA
 PHONE (519) 527-6307
 FACSIMILE (519) 527-2325
 designconcrete.ca

JOB NUMBER

DRAWING NUMBER
 BASE2

Fill in voids between block using 19mm clear crushed stone. Other materials to be verified by project engineer before use. The fill helps to lock the blocks together. An estimated 1.3 cubic metres is required per 24 square foot rock. Fill behind the rock to be as per site engineer. A minimum of 6" is recommended. Filter cloth may be used to separate the backfill from the native soil. The best filling practice is to alternate between filling the blocks and the backfill in 8" lifts. This will limit migration and protect the filter cloth (if applicable). Compact fill to engineer's requirements. Only small compactor units should be used within 3" of the rocks. Clean off the top of each course to ensure a proper fit for the next course.

Information on this page is a guideline only and must be approved or modified by the project engineer to suit site specific conditions



GRAVITY WALL CROSS SECTION

TITLE
GRAVITY WALL INSTALLATION GUIDELINE

PROJECT
RETAIN-A-ROCK INSTALLATION GUIDELINES

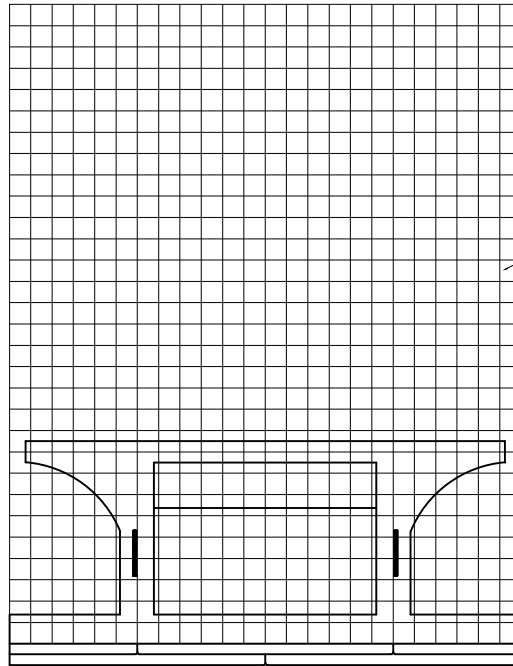
DATE DEC. 27.10	DRAWN BY GKH	CHECKED BY	REVISED
--------------------	-----------------	------------	---------

DC DESIGN CONCRETE SYSTEMS LIMITED
 63 BIRCH STREET, SEAFORTH ONTARIO
 N0K 1W0 CANADA
 PHONE (519) 527-6307
 FACSIMILE (519) 527-2325
 designconcrete.ca

JOB NUMBER

DRAWING NUMBER
FILL 1

Taller or walls with high stresses may require soil reinforcement. This can be achieved using a geo grid behind the Retain-A-Rock system. Consult a geotechnical engineer for site specific details. Excavate soils in the reinforced soil area to the proper depth and length. Install geo grid as shown and according to engineer's specifications. Install geo grid with the axis running perpendicular to the face of the wall. Level ground is beneficial when laying the geo grid. Use standard compaction procedures after geo grid placement. Install between layers of Retain-A-Rock as required. Use caution when using machinery. Do not turn sharp or make sudden stops that could damage the geo grid material.

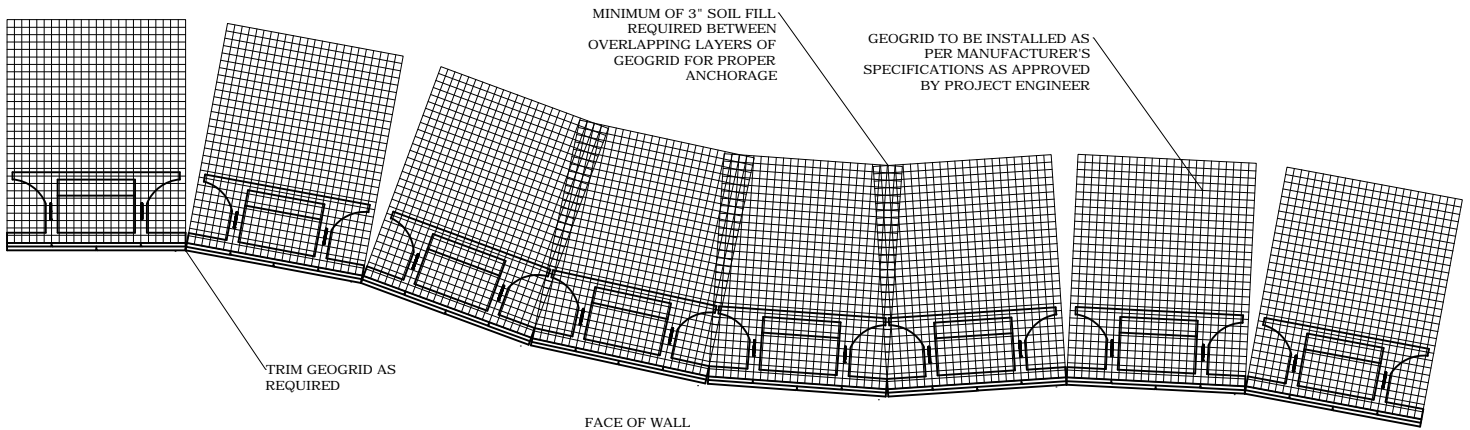


ALIGN MACHINE DIRECTION OF GEO GRID PERPENDICULAR TO WALL FACE

EXTEND GEO GRID TO FACE OF BLOCK

Information on this page is a guideline only and must be approved or modified by the project engineer to suit site specific conditions

GEO GRID INSTALLATION



FACE OF WALL

GEO GRID INSTALLATION FOR CURVED WALLS

TITLE	<u>GEO GRID INSTALLATION GUIDELINE</u>		
-------	----------------------------------------	--	--

PROJECT	<u>RETAIN-A-ROCK INSTALLATION GUIDELINES</u>		
---------	----------------------------------------------	--	--

DATE	DRAWN BY	CHECKED BY	REVISED
DEC. 27.10	GKH		

 DESIGN CONCRETE SYSTEMS LIMITED 63 BIRCH STREET, SEAFORTH ONTARIO N0K 1W0 CANADA PHONE (519) 527-6307 FACSIMILE (519) 527-2325 designconcrete.ca	JOB NUMBER
	DRAWING NUMBER
	GEOGRID1

BASE COURSE NOTES

Use caution when excavating. Do not excavate beyond required depth for trench. Level the wall base with either well compacted gravel, or lean concrete as per the project engineer's specifications. It is recommended to compact a gravel base to no less than 95% Standard Proctor. Lean concrete can be used and is recommended on projects that are tall or have bad soil conditions. It may also improve installation time, but cost may be a factor. Additional trench depth may be required for units that are below grade. Consult project engineer for clarification. The trench for the base should be a minimum of 60" (1.53m). In ground units are best to have landscape fabric placed underneath and up the sides of the blocks to aid in drainage over time. The units provide internal drainage, therefore it is important to ensure that there is proper drainage at the base. Consult the geotechnical engineer if more drainage is required.

*Information on this page is a guideline
only and must be approved or modified
by the project engineer to suit site
specific conditions*

TITLE

BASE NOTES

PROJECT

RETAIN-A-ROCK INSTALLATION GUIDELINES

DATE

DEC. 27.10

DRAWN BY

GKH

CHECKED BY

REVISED



DESIGN CONCRETE
SYSTEMS LIMITED
63 BIRCH STREET, SEAFORTH ONTARIO
N0K 1W0 CANADA
PHONE (519) 527-6307
FACSIMILE (519) 527-2325
designconcrete.ca

JOB NUMBER

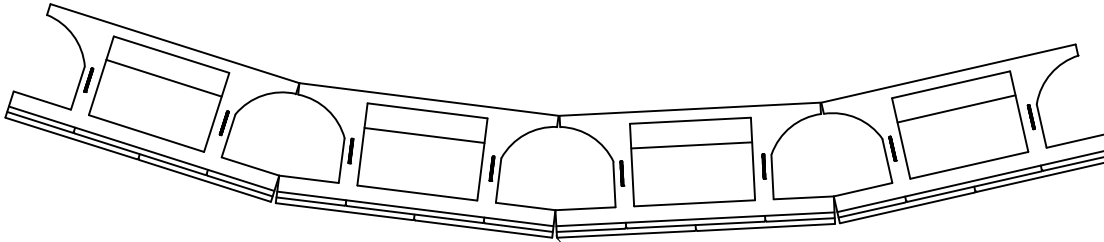
DRAWING NUMBER

NOTES1

Minimum Convex Radius Per Course

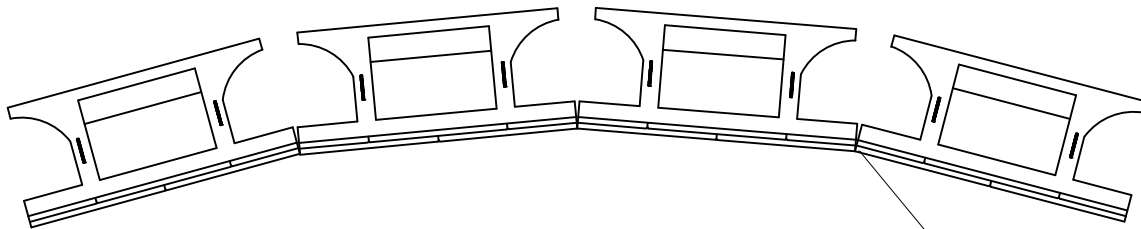
Wall Height	# of Courses	Top Radius ft. (m)
6	2	52'0" (15.85)
9	3	52'4" (15.95)
12	4	52'8" (16.05)
15	5	53'0" (16.15)
18	6	53'4" (16.25)
21	7	53'8" (16.35)
24	8	54'0" (16.45)

CONVEX RADIUS



RADIUS 51'8" (15.75m)
MINIMUM (SEE SCHEDULE)

Place the first Retain-A-Rock units using the hooks. Make sure the units are touching. The first course is the most important. Ensure that all units are level.



CONCAVE RADIUS

RADIUS 45' (13.72m)
MINIMUM (SEE SCHEDULE)

Minimum Concave Radius Per Course

Wall Height	# of Courses	Top Radius ft. (m)
6	2	46'4" (14.12)
9	3	46'8" (14.22)
12	4	47'0" (14.33)
15	5	47'4" (14.43)
18	6	47'8" (14.53)
21	7	48'0" (14.63)
24	8	48'4" (14.73)

TITLE

RADIUS GUIDELINES

PROJECT

RETAIN-A-ROCK INSTALLATION GUIDELINES

DATE

DEC. 27.10

DRAWN BY

GKH

CHECKED BY

REVISED



DESIGN CONCRETE
SYSTEMS LIMITED
63 BIRCH STREET, SEAFORTH ONTARIO
N0K 1W0 CANADA
PHONE (519) 527-6307
FACSIMILE (519) 527-2325
designconcrete.ca

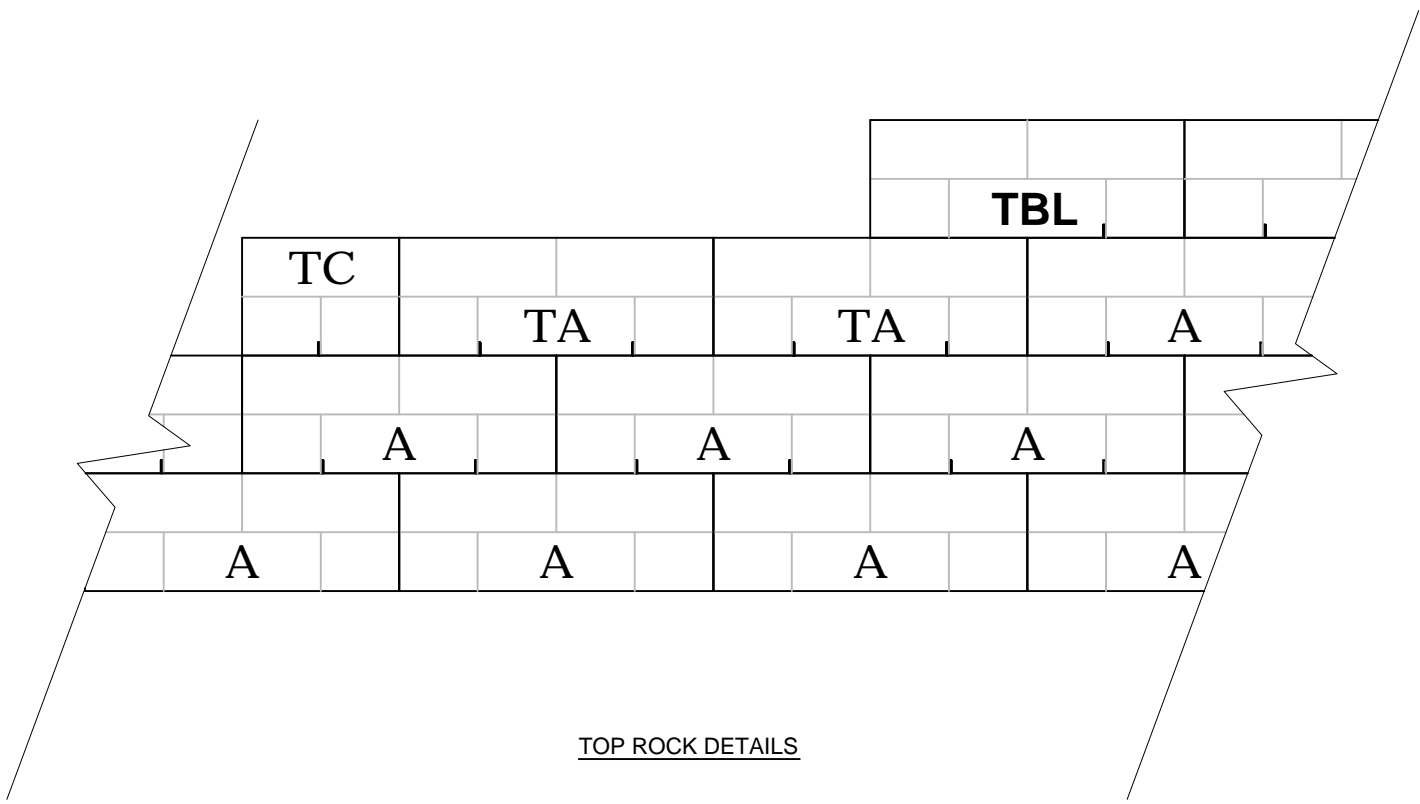
JOB NUMBER


DRAWING NUMBER

RADIUS1

Set second course of A blocks as shown, placing the first block of the second course at half bond to the one below. Blocks will align automatically with the rebar hooks. Install remaining blocks in the same fashion. If geo textile is required, follow job specific details. Stepping the top of the wall is an option, depending on site details. One example is shown below. Each project is unique and wall can be tailored to suit specific layouts.

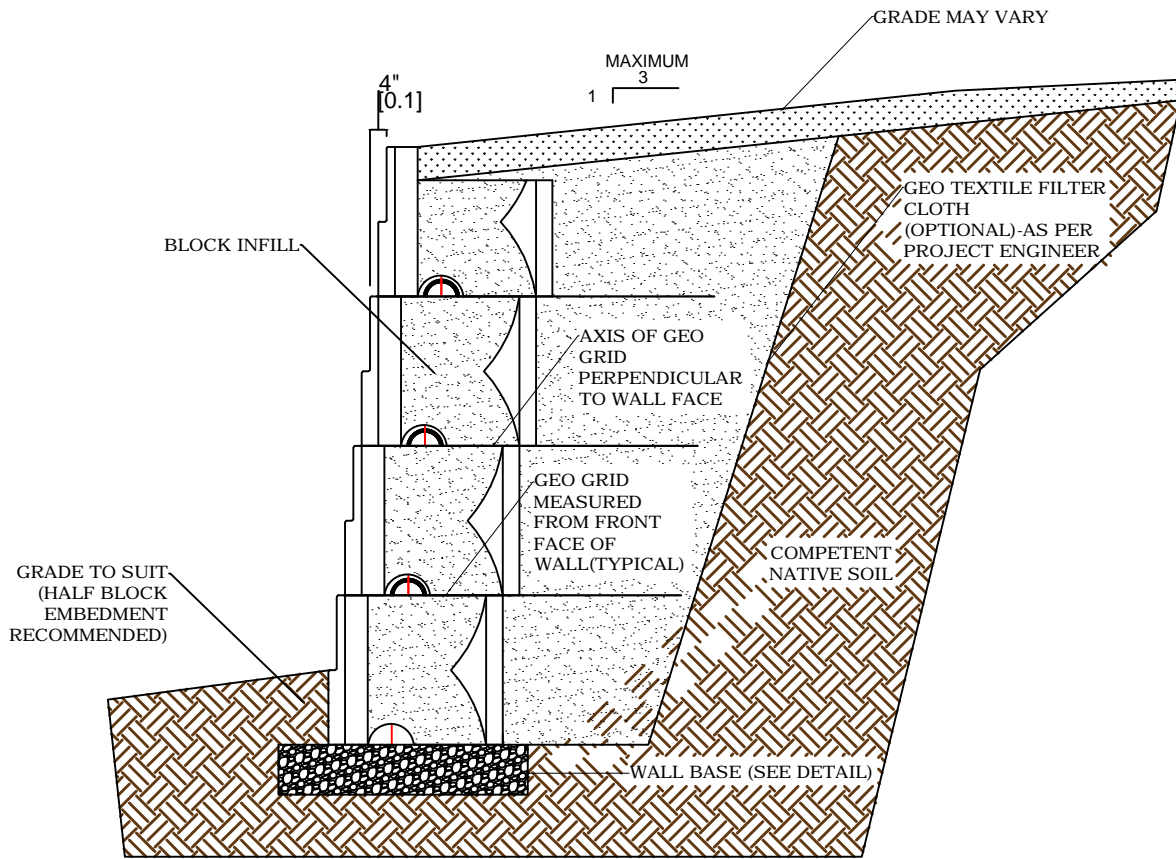
Information on this page is a guideline only and must be approved or modified by the project engineer to suit site specific conditions



TITLE <p style="text-align: center;"><u>TOP INSTALLATION GUIDELINES</u></p>				 DESIGN CONCRETE SYSTEMS LIMITED <small>63 BIRCH STREET, SEAFORTH ONTARIO N0K 1W0 CANADA PHONE (519) 527-6307 FACSIMILE (519) 527-2325 designconcrete.ca</small>
PROJECT <p style="text-align: center;"><u>RETAIN-A-ROCK INSTALLATION GUIDELINES</u></p>				
DATE DEC. 27.10	DRAWN BY GKH	CHECKED BY	REVISED	JOB NUMBER
DRAWING NUMBER <p style="text-align: center;">TOP1</p>				

RETAIN-A-ROCK TOP ROCK (TA/TC/TD...) IS DESIGNED TO FINISH THE TOP OF THE WALL AND ALLOW FOR GRADE TO BE TAKEN RIGHT TO THE FRONT FACE OF THE WALL.

Information on this page is a guideline only and must be approved or modified by the project engineer to suit site specific conditions



TOP WALL WITH GEO GRID CROSS SECTION

TITLE
TOP INSTALLATION GUIDELINES

PROJECT
RETAIN-A-ROCK INSTALLATION GUIDELINES

DATE DEC. 27.10	DRAWN BY GKH	CHECKED BY	REVISED
--------------------	-----------------	------------	---------

DC DESIGN CONCRETE SYSTEMS LIMITED
 63 BIRCH STREET, SEAFORTH ONTARIO
 N0K 1W0 CANADA
 PHONE (519) 527-6307
 FACSIMILE (519) 527-2325
 designconcrete.ca

JOB NUMBER

DRAWING NUMBER
TOP2