

A BLOCK

SQUARE FOOTAGE OF FACE - 24 ft.² [2.23 m²]
 WEIGHT -5,500 lbs. [2,495 kg.]
 VOLUME OF FILL - 46 ft.³ [1.3 m³]

TITLE
A BLOCK TECHNICAL DATA

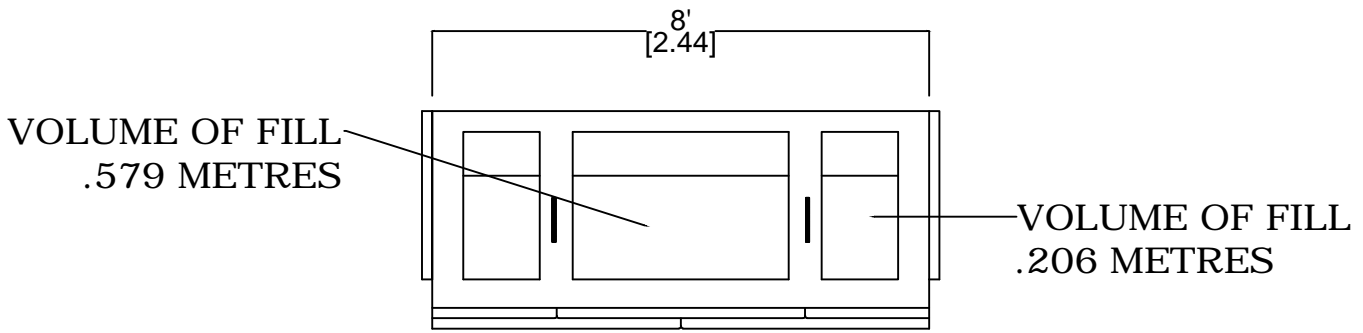
PROJECT
RETAIN-A-ROCK RETAINING WALL SYSTEM

DATE DEC. 27.10	DRAWN BY GKH	CHECKED BY	REVISED
--------------------	-----------------	------------	---------

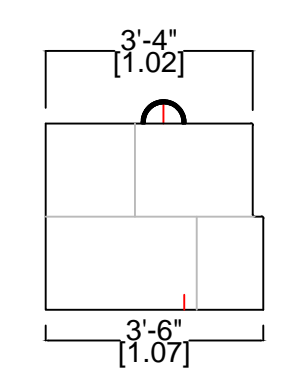
DC DESIGN CONCRETE SYSTEMS LIMITED
 63 BIRCH STREET, SEAFORTH ONTARIO
 N0K 1W0 CANADA
 PHONE (519) 527-6307
 FACSIMILE (519) 527-2325
 designconcrete.ca

JOB NUMBER

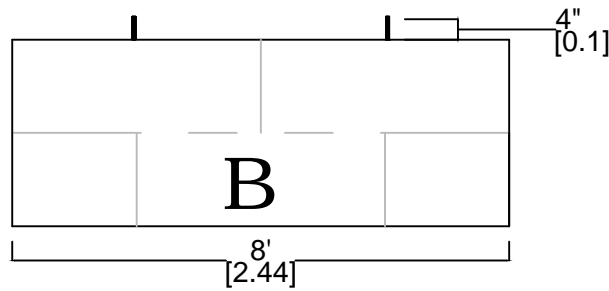
DRAWING NUMBER
RAR1



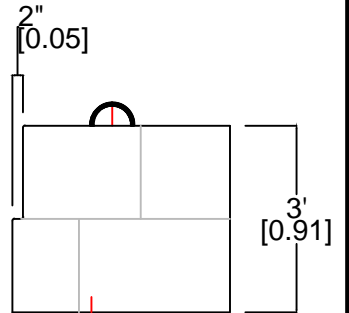
TOP VIEW



END VIEW LEFT



FRONT VIEW



END VIEW RIGHT

B BLOCK

SQUARE FOOTAGE OF FACE - 24 ft.² [2.23 m²]

WEIGHT -7,500 lbs. [3,402 kg.]

VOLUME OF FILL - 35.31³ft. [1 m³]

TITLE

B BLOCK TECHNICAL DATA

PROJECT

RETAIN-A-ROCK RETAINING WALL SYSTEM

DATE

DEC. 27.10

DRAWN BY

GKH

CHECKED BY

REVISED

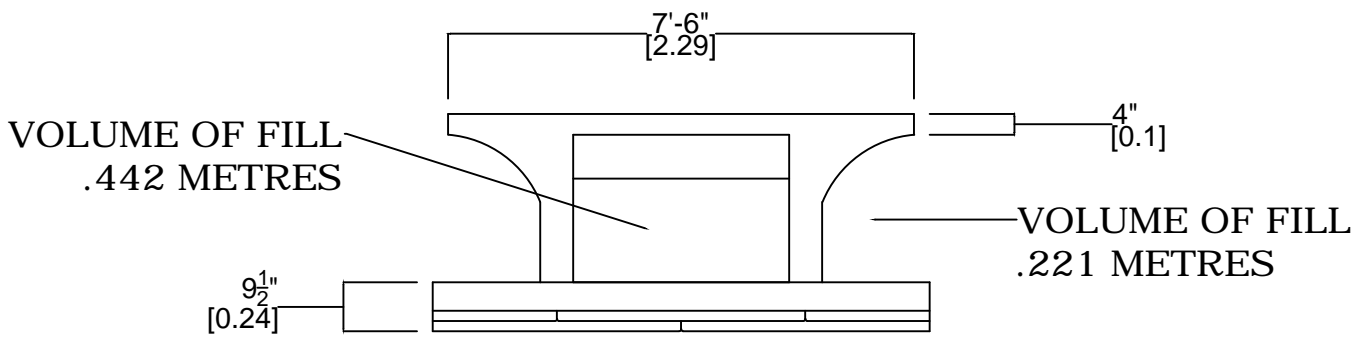


DESIGN CONCRETE
SYSTEMS LIMITED
63 BIRCH STREET, SEAFORTH ONTARIO
N0K 1W0 CANADA
PHONE (519) 527-6307
FACSIMILE (519) 527-2325
designconcrete.ca

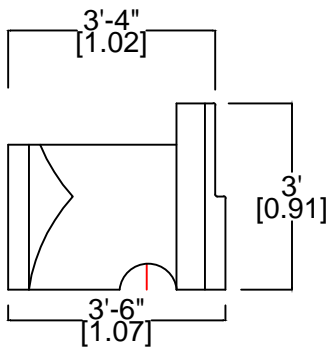
JOB NUMBER

DRAWING NUMBER

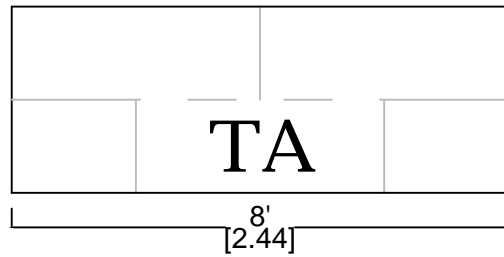
RAR2



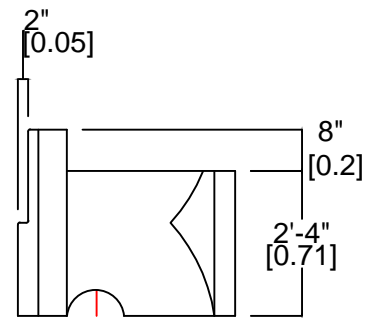
TOP VIEW



END VIEW LEFT



FRONT VIEW



END VIEW RIGHT

TA BLOCK

SQUARE FOOTAGE OF FACE - 24 ft.² [2.23 m²]

WEIGHT -5,000 lbs. [2,268 kg.]

VOLUME OF FILL - 40.6 ft.³ [1.15 m³]

TITLE

TA BLOCK TECHNICAL DATA

PROJECT

RETAIN-A-ROCK RETAINING WALL SYSTEM

DATE

DEC. 27.10

DRAWN BY

GKH

CHECKED BY

REVISED

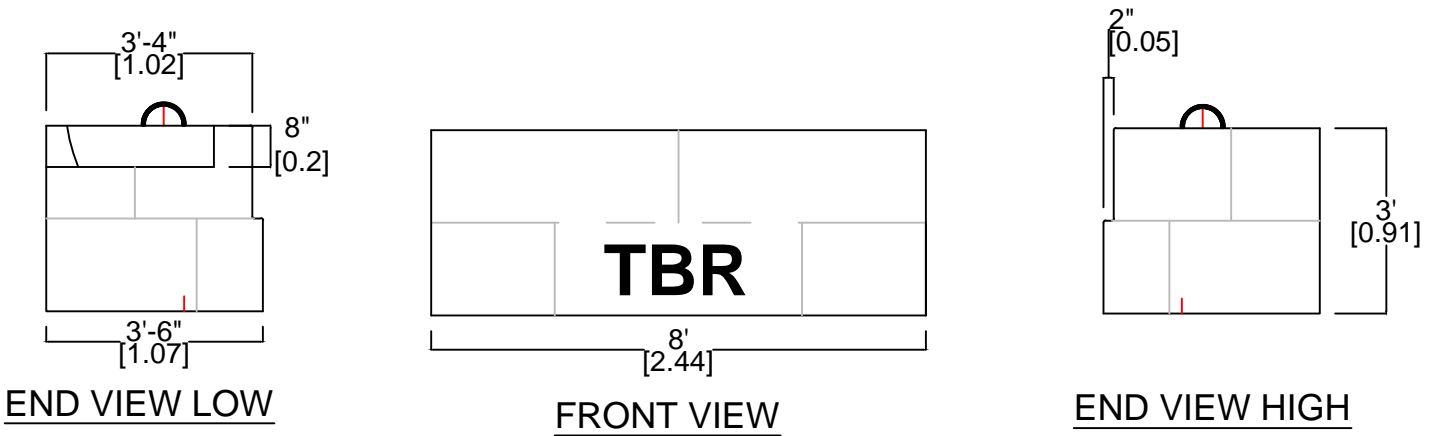
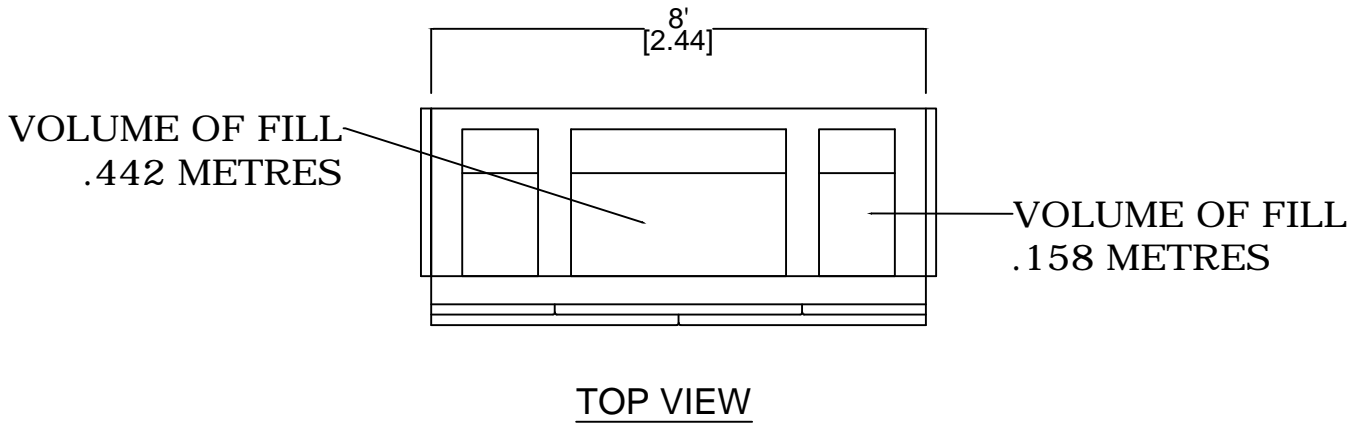


DESIGN CONCRETE
SYSTEMS LIMITED
63 BIRCH STREET, SEAFORTH ONTARIO
N0K 1W0 CANADA
PHONE (519) 527-6307
FACSIMILE (519) 527-2325
designconcrete.ca

JOB NUMBER

DRAWING NUMBER

RAR3



TBR/L BLOCK

SQUARE FOOTAGE OF FACE - 24 ft.² [2.23 m²]

WEIGHT -7,000 lbs. [3,175 kg.]

VOLUME OF FILL - 35.31 ft.³ [1 m³]

TITLE
TBR/L BLOCK TECHNICAL DATA

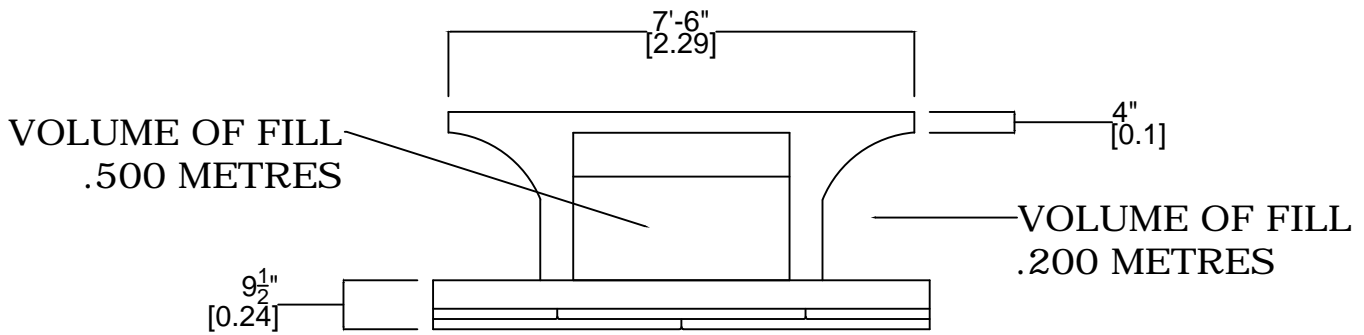
PROJECT
RETAIN-A-ROCK RETAINING WALL SYSTEM

DATE DEC. 27.10	DRAWN BY GKH	CHECKED BY	REVISED
--------------------	-----------------	------------	---------

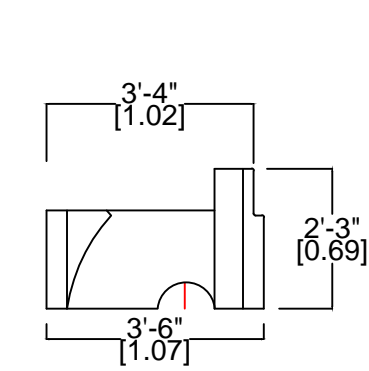
DC DESIGN CONCRETE
SYSTEMS LIMITED
63 BIRCH STREET, SEAFORTH ONTARIO
N0K 1W0 CANADA
PHONE (519) 527-6307
FACSIMILE (519) 527-2325
designconcrete.ca

JOB NUMBER

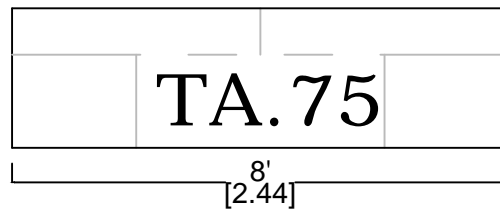
DRAWING NUMBER
RAR4



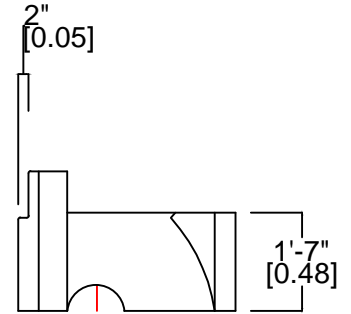
TOP VIEW



END VIEW LEFT



FRONT VIEW



END VIEW RIGHT

TA.75 BLOCK

SQUARE FOOTAGE OF FACE - 18 ft.² [1.67 m²]

WEIGHT -4,500 lbs. [2,041 kg.]

VOLUME OF FILL - 32 ft.³ [0.9 m³]

TITLE

TA.75 BLOCK TECHNICAL DATA

PROJECT

RETAIN-A-ROCK RETAINING WALL SYSTEM

DATE

DEC. 27.10

DRAWN BY

GKH

CHECKED BY

REVISED

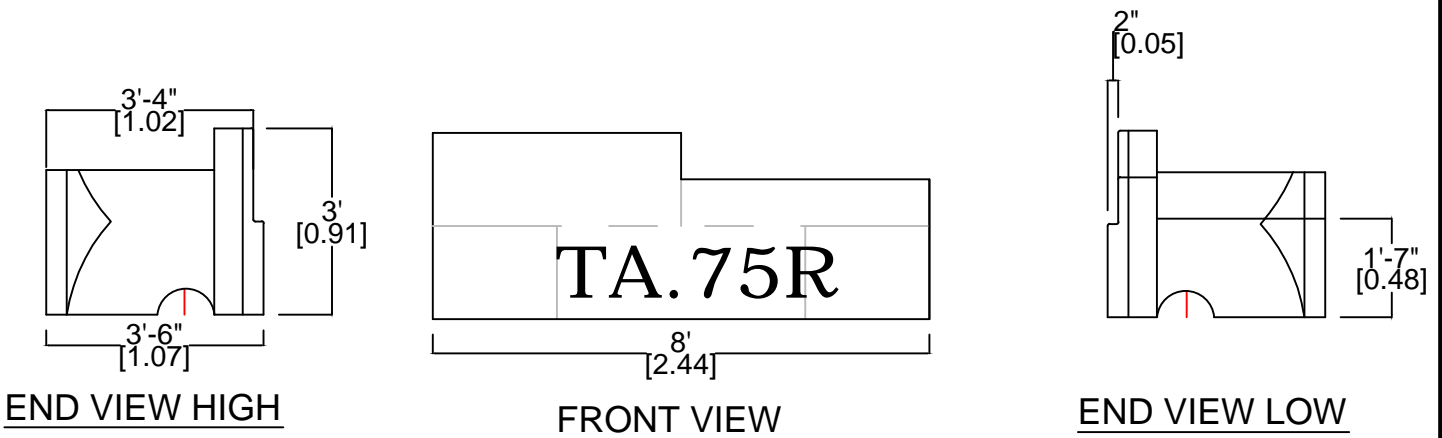
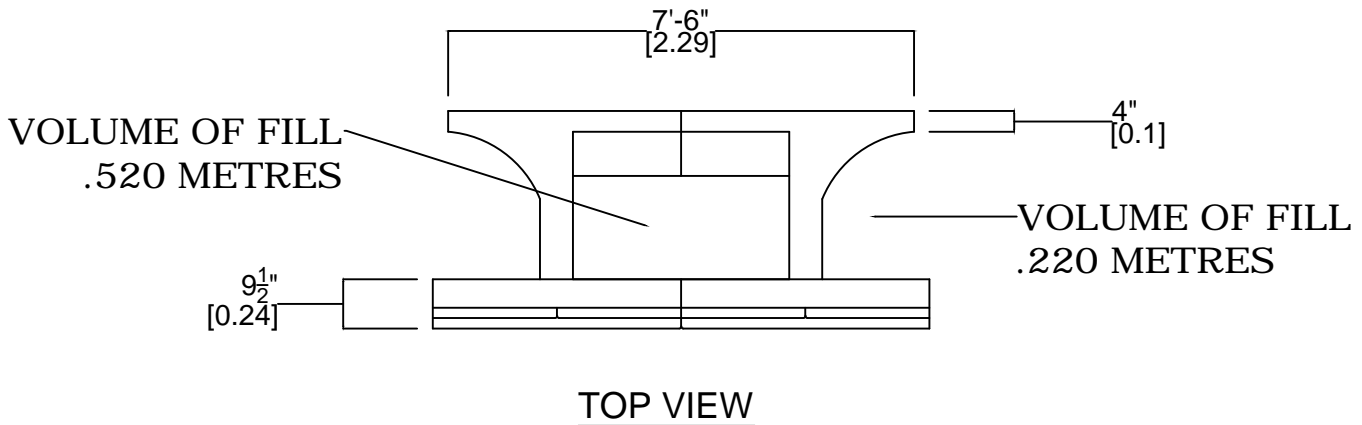


DESIGN CONCRETE
SYSTEMS LIMITED
63 BIRCH STREET, SEAFORTH ONTARIO
N0K 1W0 CANADA
PHONE (519) 527-6307
FACSIMILE (519) 527-2325
designconcrete.ca

JOB NUMBER

DRAWING NUMBER

RAR5



TA.75R/L BLOCK

SQUARE FOOTAGE OF FACE - 21 ft.² [1.95 m²]

WEIGHT -4,800 lbs. [2,177 kg.]

VOLUME OF FILL - 35.3 ft.³ [.94 m³]

TITLE
TA.75R/L BLOCK TECHNICAL DATA

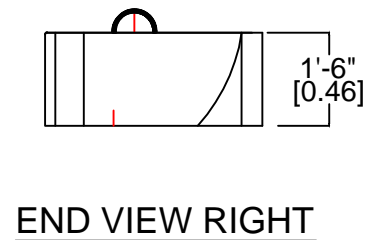
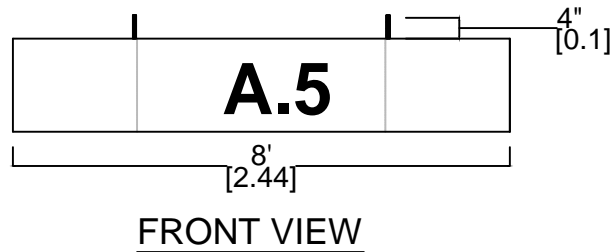
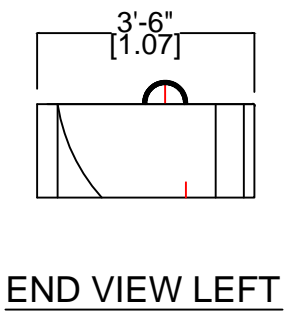
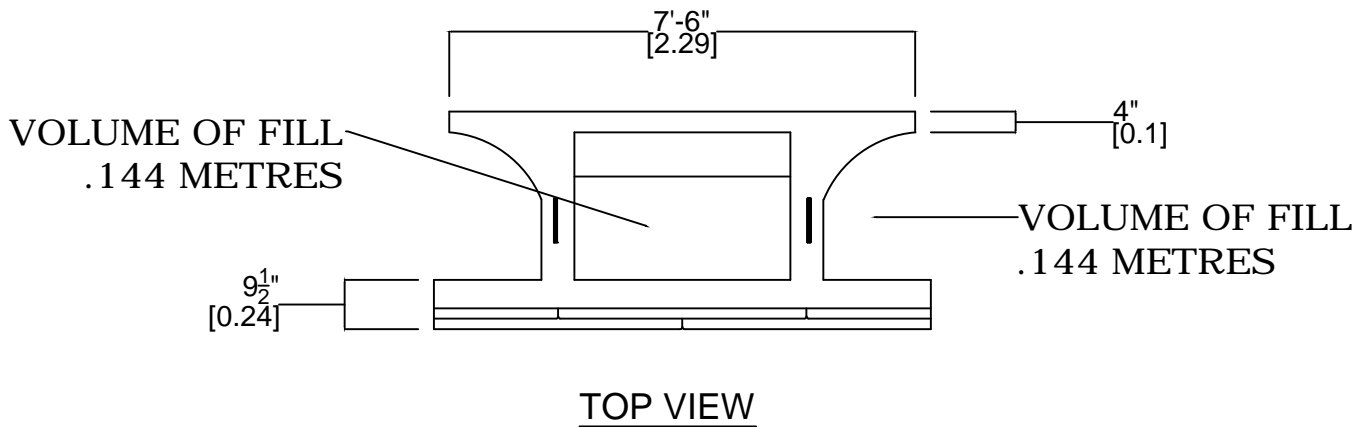
PROJECT
RETAIN-A-ROCK RETAINING WALL SYSTEM

DATE DEC. 27.10	DRAWN BY GKH	CHECKED BY	REVISED
--------------------	-----------------	------------	---------

DC DESIGN CONCRETE
SYSTEMS LIMITED
63 BIRCH STREET, SEAFORTH ONTARIO
N0K 1W0 CANADA
PHONE (519) 527-6307
FACSIMILE (519) 527-2325
designconcrete.ca

JOB NUMBER

DRAWING NUMBER
RAR6



A.5 BLOCK

SQUARE FOOTAGE OF FACE - 12 ft.² [1.15 m²]

WEIGHT - 2,650 lbs. [1,202 kg.]

VOLUME OF FILL - 26.5 ft.³ [.75 m³]

TITLE
A.5 BLOCK TECHNICAL DATA

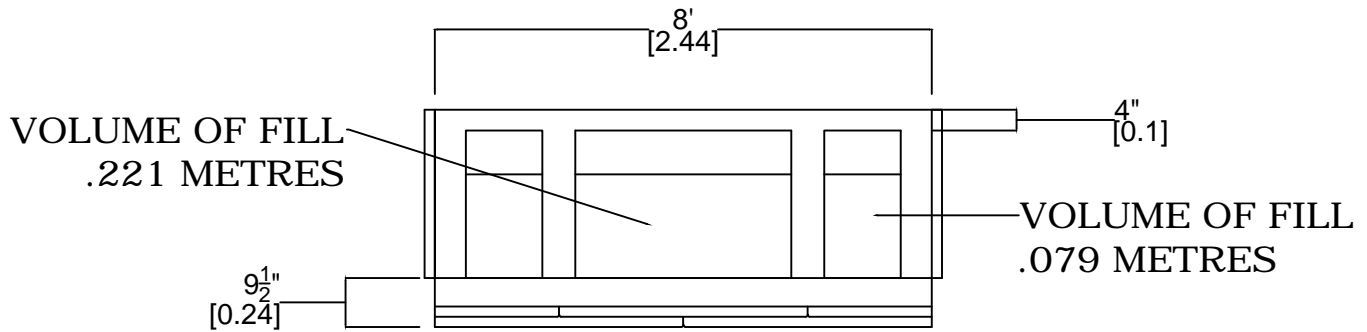
PROJECT
RETAIN-A-ROCK RETAINING WALL SYSTEM

DATE DEC. 27.10	DRAWN BY GKH	CHECKED BY	REVISED
--------------------	-----------------	------------	---------

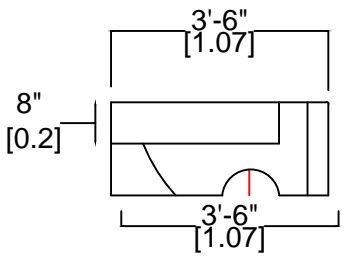
DC DESIGN CONCRETE
SYSTEMS LIMITED
63 BIRCH STREET, SEAFORTH ONTARIO
N0K 1W0 CANADA
PHONE (519) 527-6307
FACSIMILE (519) 527-2325
designconcrete.ca

JOB NUMBER

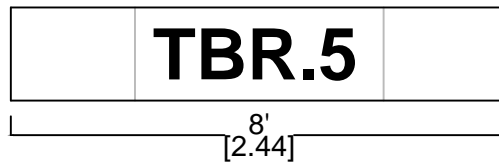
DRAWING NUMBER
RAR7



TOP VIEW



END VIEW LOW



FRONT VIEW



END VIEW HIGH

TBR/L.5 BLOCK

SQUARE FOOTAGE OF FACE - 12 ft.² [1.15 m²]

WEIGHT -3,500 lbs. [1,588 kg.]

VOLUME OF FILL - 17.7 ft.³ [0.5 m³]

TITLE
TBR/L.5 BLOCK TECHNICAL DATA

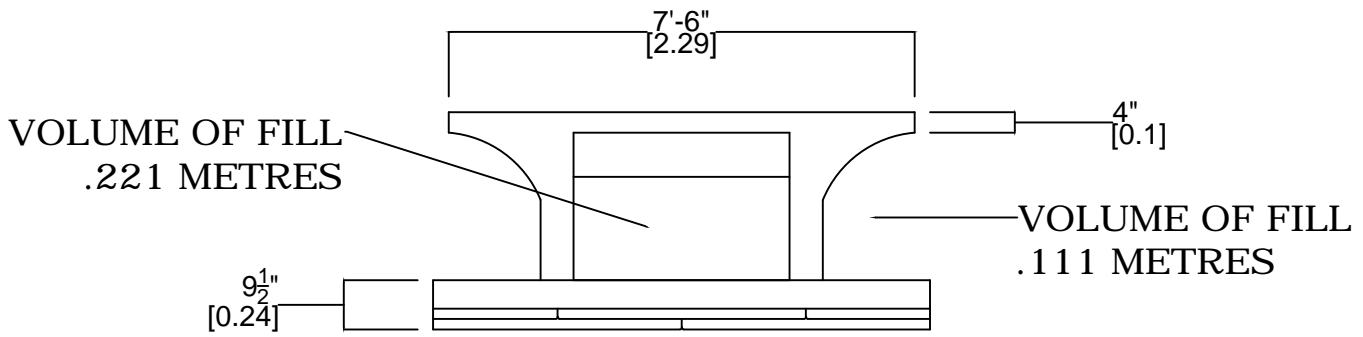
PROJECT
RETAIN-A-ROCK RETAINING WALL SYSTEM

DATE DEC. 27.10	DRAWN BY GKH	CHECKED BY	REVISED
--------------------	-----------------	------------	---------

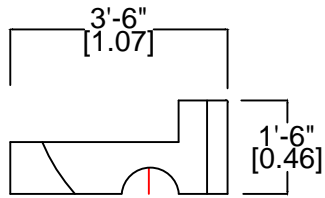
DC DESIGN CONCRETE
SYSTEMS LIMITED
63 BIRCH STREET, SEAFORTH ONTARIO
N0K 1W0 CANADA
PHONE (519) 527-6307
FACSIMILE (519) 527-2325
designconcrete.ca

JOB NUMBER

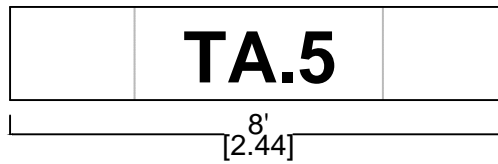
DRAWING NUMBER
RAR8



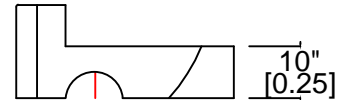
TOP VIEW



END VIEW LEFT



FRONT VIEW



END VIEW RIGHT

TA.5 BLOCK

SQUARE FOOTAGE OF FACE - 12 ft.² [1.15 m²]

WEIGHT -2,500 lbs. [1,134 kg.]

VOLUME OF FILL - 20.5 ft.³ [.58 m³]

TITLE

TA.5 BLOCK TECHNICAL DATA

PROJECT

RETAIN-A-ROCK RETAINING WALL SYSTEM

DATE

DEC. 27.10

DRAWN BY

GKH

CHECKED BY

REVISED

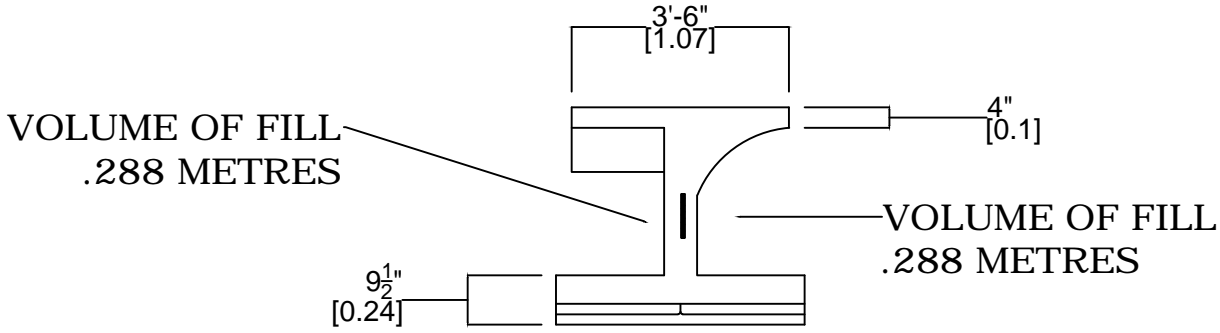


DESIGN CONCRETE
SYSTEMS LIMITED
63 BIRCH STREET, SEAFORTH ONTARIO
N0K 1W0 CANADA
PHONE (519) 527-6307
FACSIMILE (519) 527-2325
designconcrete.ca

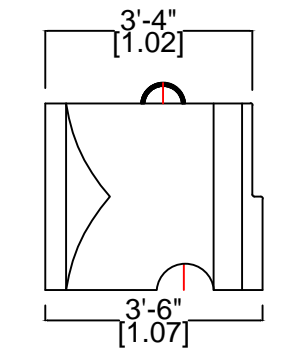
JOB NUMBER

DRAWING NUMBER

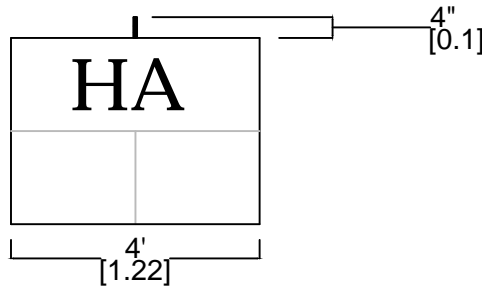
RAR9



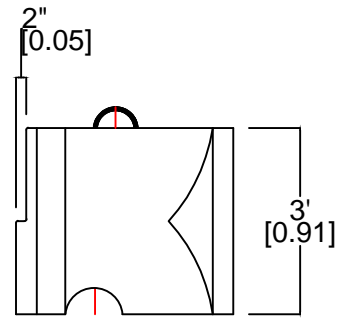
TOP VIEW



END VIEW LEFT



FRONT VIEW



END VIEW RIGHT

HA BLOCK

SQUARE FOOTAGE OF FACE - 12 ft.² [1.11 m²]

WEIGHT -2,500 lbs. [1,134 kg.]

VOLUME OF FILL - 21 ft.³ [.58 m³]

TITLE
HA BLOCK TECHNICAL DATA

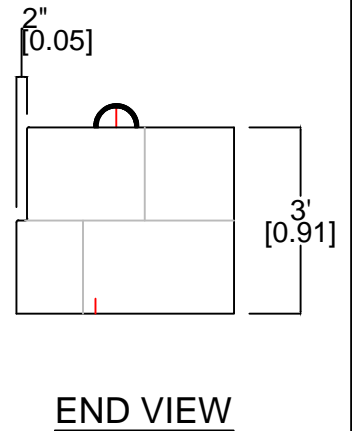
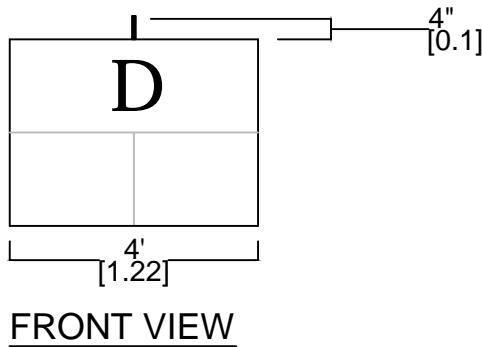
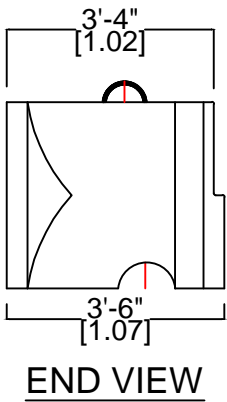
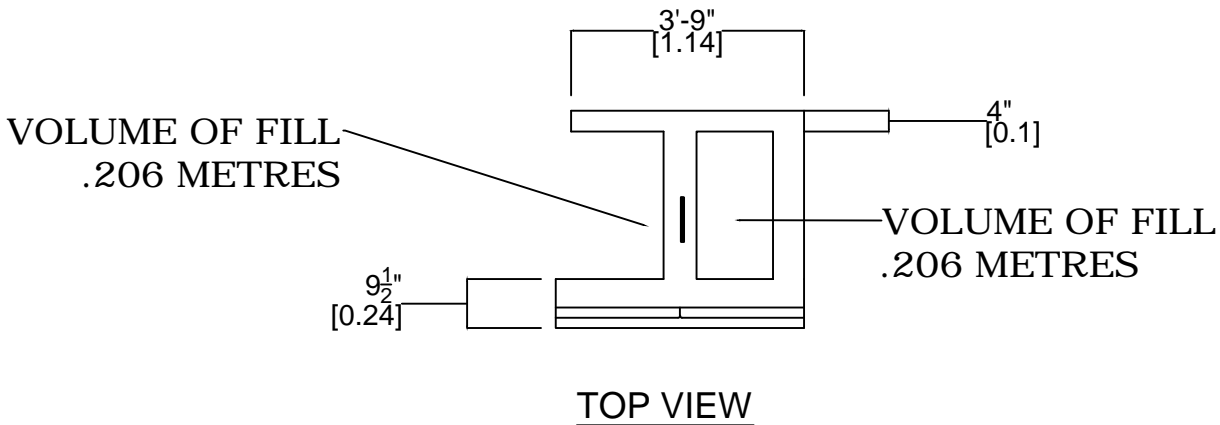
PROJECT
RETAIN-A-ROCK RETAINING WALL SYSTEM

DATE DEC. 27.10	DRAWN BY GKH	CHECKED BY	REVISED
--------------------	-----------------	------------	---------

DC DESIGN CONCRETE
SYSTEMS LIMITED
63 BIRCH STREET, SEAFORTH ONTARIO
N0K 1W0 CANADA
PHONE (519) 527-6307
FACSIMILE (519) 527-2325
designconcrete.ca

JOB NUMBER

DRAWING NUMBER
RAR10



C/D BLOCK

SQUARE FOOTAGE OF FACE - 12 ft.² [1.11 m²]

WEIGHT -3,250 lbs. [1,474 kg.]

VOLUME OF FILL - 25 ft.³ [.70 m³]

TITLE
C/D BLOCK TECHNICAL DATA

PROJECT
RETAIN-A-ROCK RETAINING WALL SYSTEM

DATE
DEC. 27.10

DRAWN BY
GKH

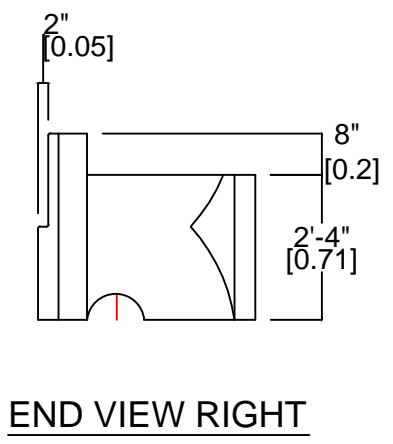
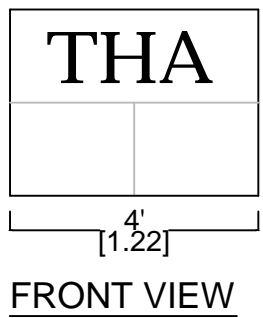
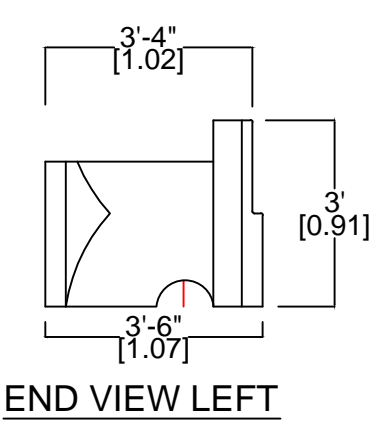
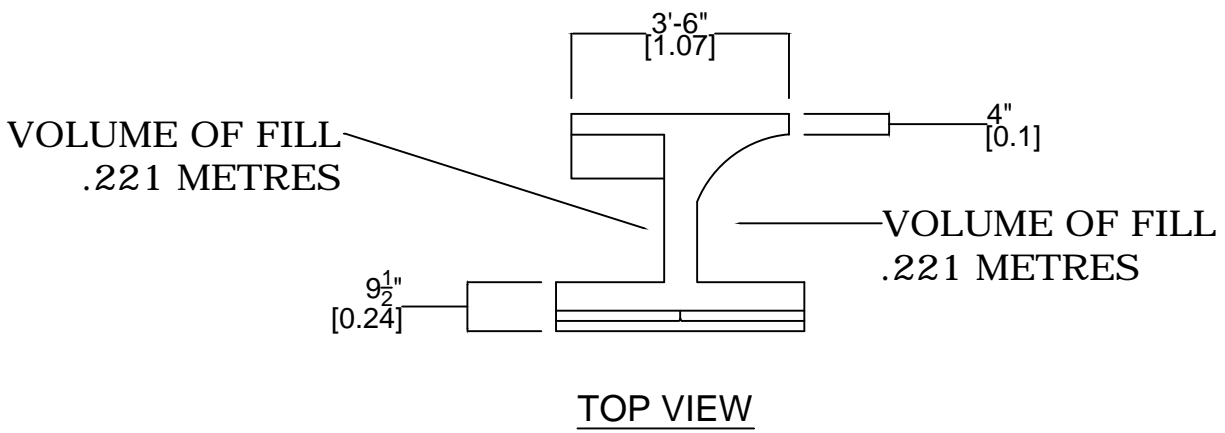
CHECKED BY

REVISED

DC DESIGN CONCRETE
SYSTEMS LIMITED
63 BIRCH STREET, SEAFORTH ONTARIO
N0K 1W0 CANADA
PHONE (519) 527-6307
FACSIMILE (519) 527-2325
designconcrete.ca


JOB NUMBER

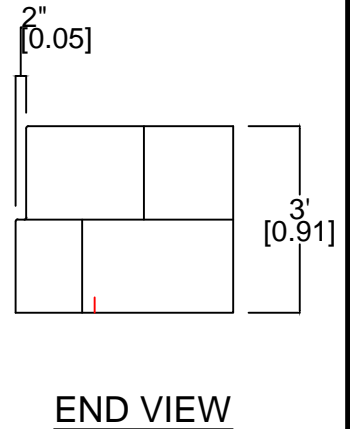
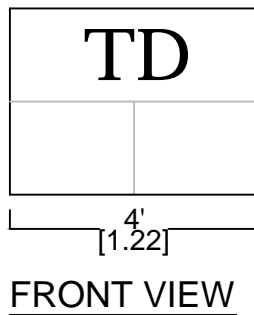
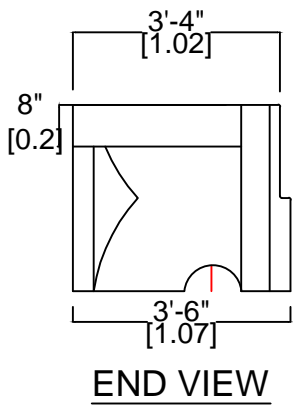
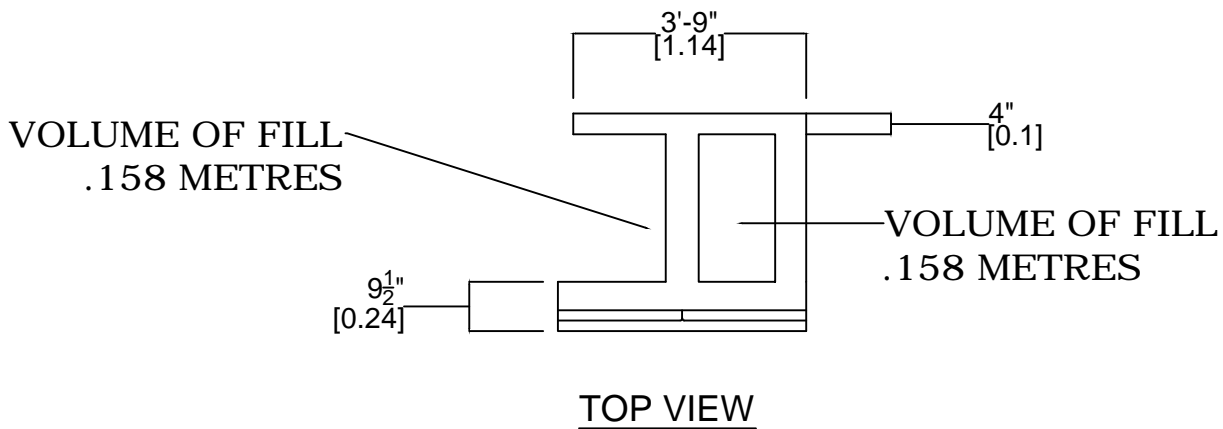
DRAWING NUMBER
RAR11



THA BLOCK

SQUARE FOOTAGE OF FACE - 12 ft.² [1.11 m²]
 WEIGHT -2,300 lbs. [1,043 kg.]
 VOLUME OF FILL - 25 ft.³ [.70 m³]

TITLE <u>THA BLOCK TECHNICAL DATA</u>				 DESIGN CONCRETE SYSTEMS LIMITED <small>63 BIRCH STREET, SEAFORTH ONTARIO N0K 1W0 CANADA PHONE (519) 527-6307 FACSIMILE (519) 527-2325 designconcrete.ca</small>
PROJECT <u>RETAIN-A-ROCK RETAINING WALL SYSTEM</u>				
DATE DEC. 27.10	DRAWN BY GKH	CHECKED BY	REVISED	
				JOB NUMBER
				DRAWING NUMBER RAR12



TC/D BLOCK

SQUARE FOOTAGE OF FACE - 12 ft.² [1.11 m²]

WEIGHT -3,500 lbs. [1,588 kg.]

VOLUME OF FILL - 18 ft.³ [.50 m³]

TITLE

TC/D BLOCK TECHNICAL DATA

PROJECT

RETAIN-A-ROCK RETAINING WALL SYSTEM

DATE

DEC. 27.10

DRAWN BY

GKH

CHECKED BY

REVISED

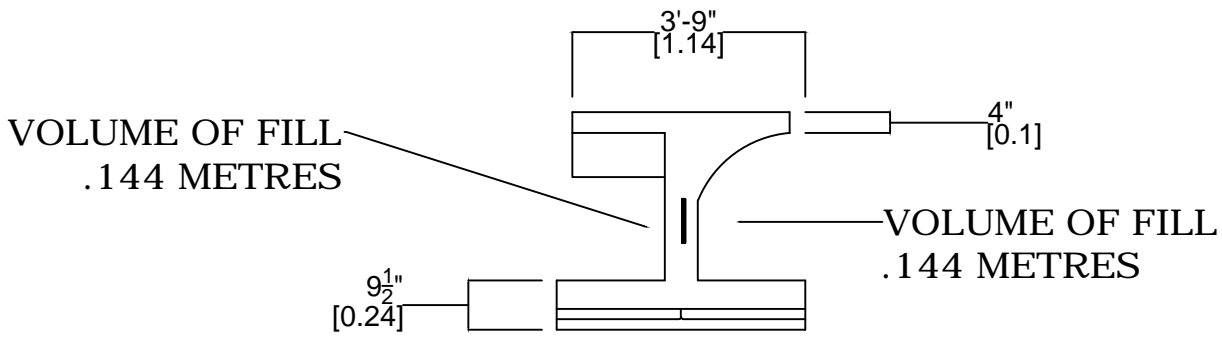


DESIGN CONCRETE
SYSTEMS LIMITED
63 BIRCH STREET, SEAFORTH ONTARIO
N0K 1W0 CANADA
PHONE (519) 527-6307
FACSIMILE (519) 527-2325
designconcrete.ca

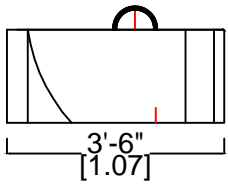
JOB NUMBER

DRAWING NUMBER

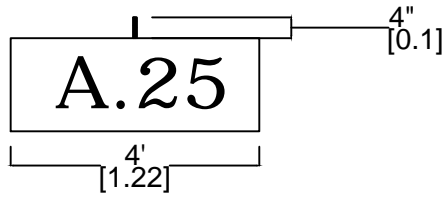
RAR13



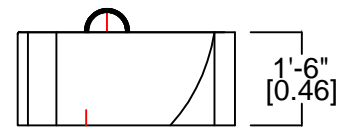
TOP VIEW



END VIEW



FRONT VIEW



END VIEW

A.25 BLOCK

SQUARE FOOTAGE OF FACE - 6 ft. ²[0.56 m ²]

WEIGHT -1,250 lbs. [567 kg.]

VOLUME OF FILL - 13 ft. ³[.375 m ³]

TITLE

A.25 BLOCK TECHNICAL DATA

PROJECT

RETAIN-A-ROCK RETAINING WALL SYSTEM

DATE

DEC. 27.10

DRAWN BY

GKH

CHECKED BY

REVISED

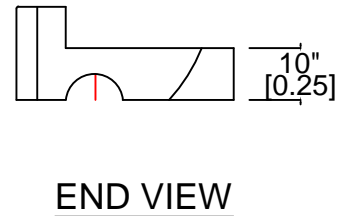
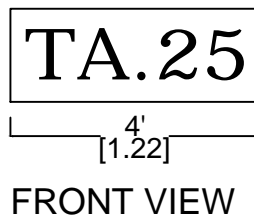
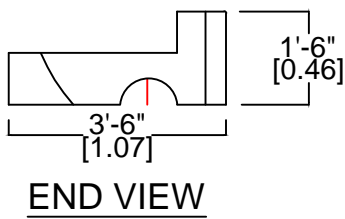
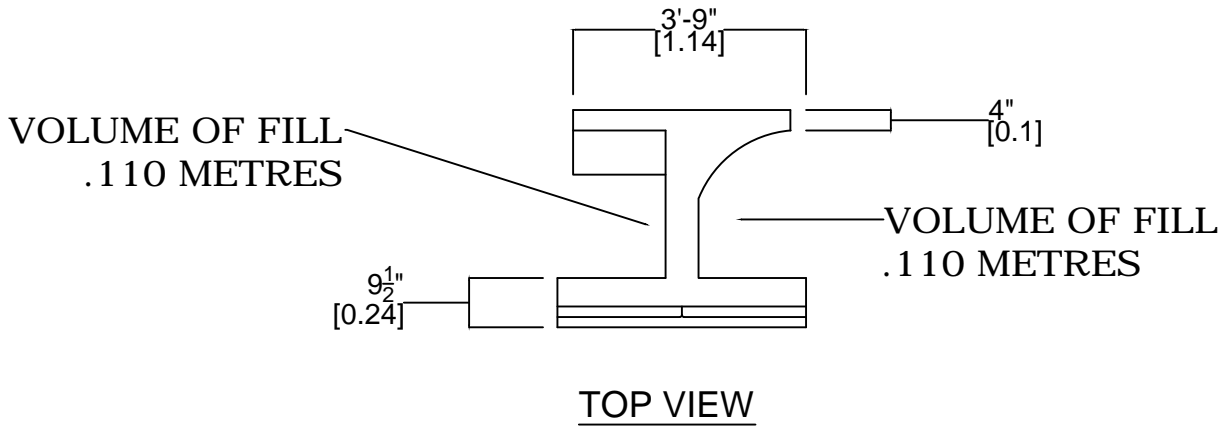


DESIGN CONCRETE
SYSTEMS LIMITED
63 BIRCH STREET, SEAFORTH ONTARIO
N0K 1W0 CANADA
PHONE (519) 527-6307
FACSIMILE (519) 527-2325
designconcrete.ca

JOB NUMBER

DRAWING NUMBER

RAR14



TA.25 BLOCK

SQUARE FOOTAGE OF FACE - 6 ft.² [0.56 m²]

WEIGHT -1,150 lbs. [567 kg.]

VOLUME OF FILL - 12.5 ft.³ [0.35 m³]

TITLE

TA.25 BLOCK TECHNICAL DATA

PROJECT

RETAIN-A-ROCK RETAINING WALL SYSTEM

DATE

DEC. 27.10

DRAWN BY

GKH

CHECKED BY

REVISED

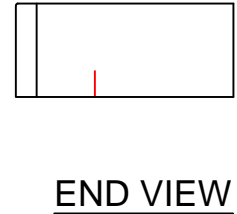
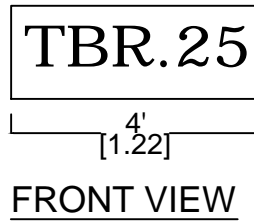
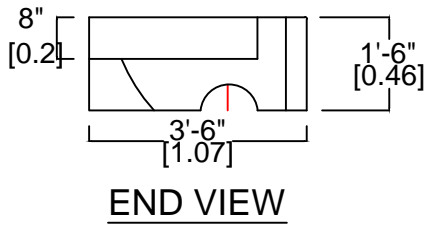
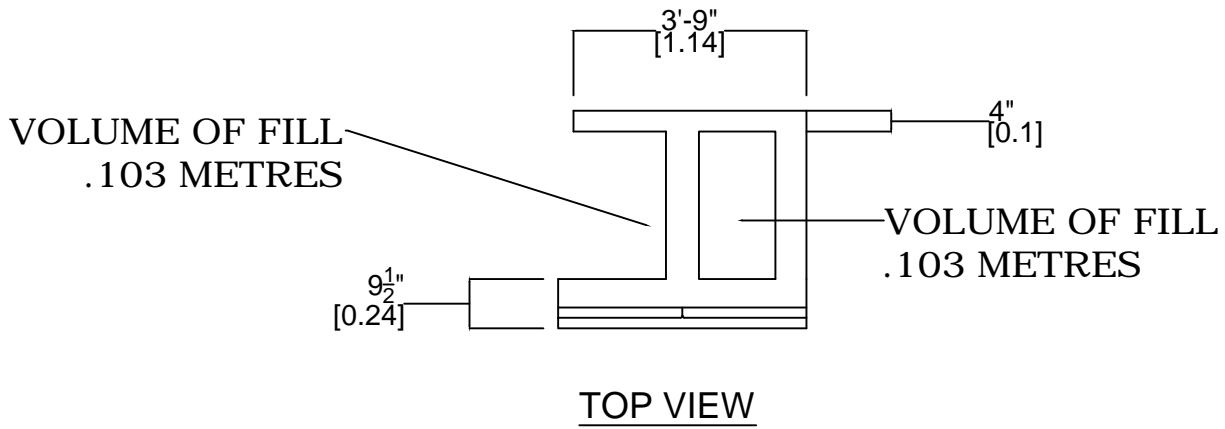


DESIGN CONCRETE
SYSTEMS LIMITED
63 BIRCH STREET, SEAFORTH ONTARIO
N0K 1W0 CANADA
PHONE (519) 527-6307
FACSIMILE (519) 527-2325
designconcrete.ca

JOB NUMBER

DRAWING NUMBER

RAR15



TBR/L.25 BLOCK

SQUARE FOOTAGE OF FACE - 6 ft. ²[0.56 m²]

WEIGHT -1,625 lbs. [737 kg.]

VOLUME OF FILL - 12.5 ft.³ [0.35 m³]

TITLE
TBR/L.25 BLOCK TECHNICAL DATA

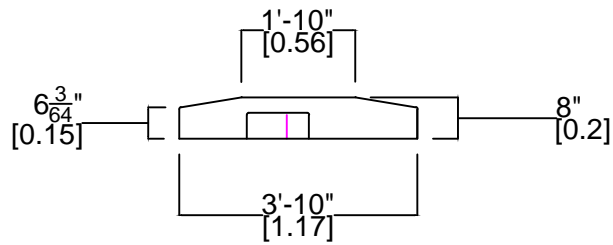
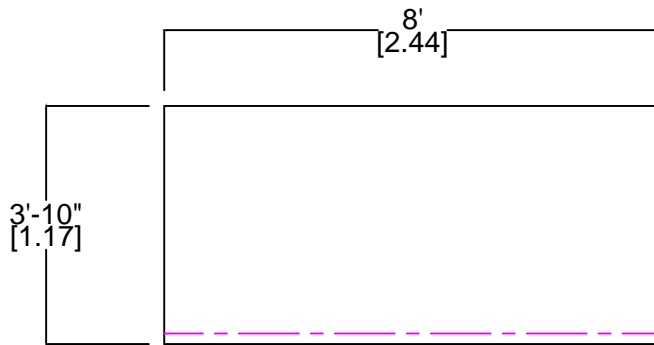
PROJECT
RETAIN-A-ROCK RETAINING WALL SYSTEM

DATE DEC. 27.10	DRAWN BY GKH	CHECKED BY	REVISED
--------------------	-----------------	------------	---------

DC DESIGN CONCRETE
SYSTEMS LIMITED
63 BIRCH STREET, SEAFORTH ONTARIO
N0K 1W0 CANADA
PHONE (519) 527-6307
FACSIMILE (519) 527-2325
designconcrete.ca

JOB NUMBER

DRAWING NUMBER
RAR16



TOP CAP

WEIGHT -2,100 lbs. [953 kg.]

TITLE
TOP CAP (OPTIONAL) TECHNICAL DATA

PROJECT
RETAIN-A-ROCK RETAINING WALL SYSTEM

DATE DEC. 27.10	DRAWN BY GKH	CHECKED BY	REVISED
--------------------	-----------------	------------	---------

DC DESIGN CONCRETE
SYSTEMS LIMITED
63 BIRCH STREET, SEAFORTH ONTARIO
N0K 1W0 CANADA
PHONE (519) 527-6307
FACSIMILE (519) 527-2325
designconcrete.ca

JOB NUMBER

DRAWING NUMBER
RAR17