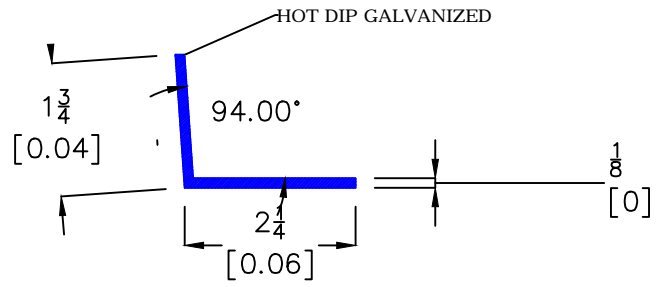
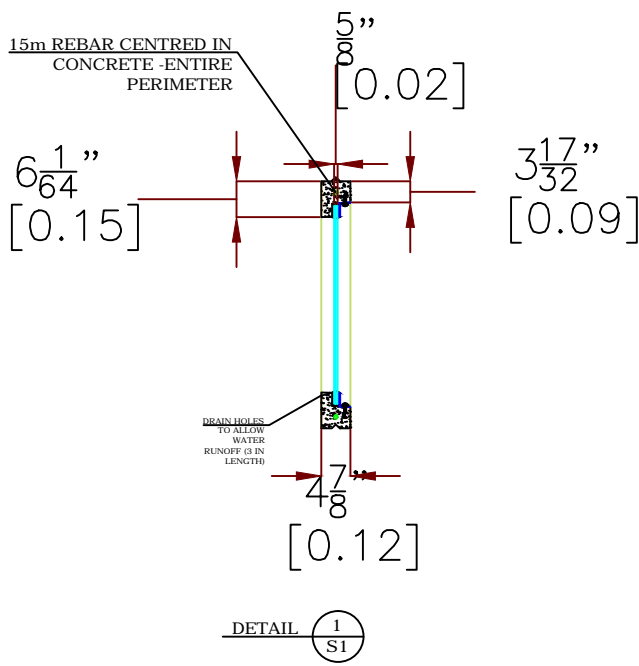


PLAN VIEW - INSTALLED

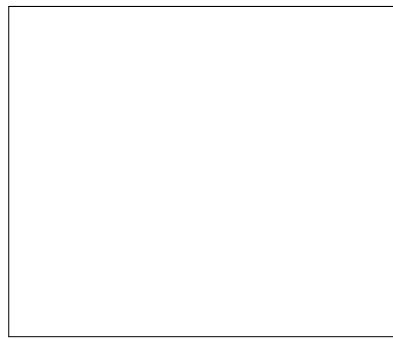


DETAIL $\frac{2}{S1}$

ANGLE IRON

- NOTES:
- Transparent 15mm material used
 - 15mm Gasket all the way around transparent product
 - Concrete frame to comply with CSA A23.4
 - Mushroom spikes must be galvanized or Stainless Steel
 - Bent angle to be hot dip galvanized

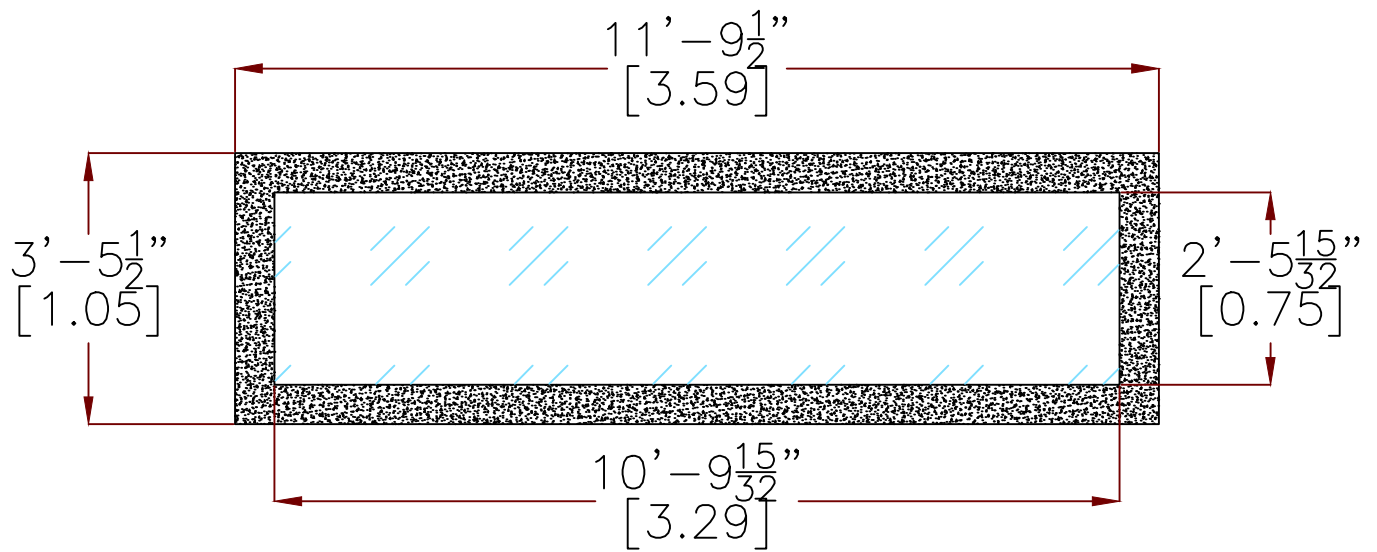
TITLE			
TRANSPARENT PANEL WITH CONCRETE FRAME DETAILS			
PROJECT			
SOUND BY DESIGN NOISE BARRIER SHOP DRAWINGS			
DATE	DRAWN BY	CHECKED BY	REVISED
JULY 09.10	GKH		



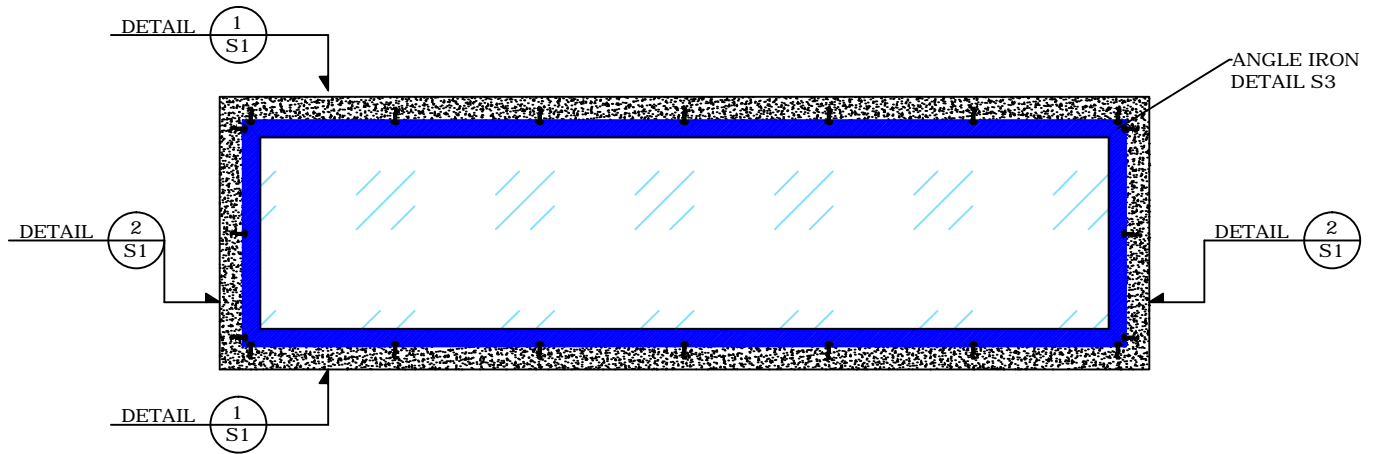
DESIGN CONCRETE SYSTEMS LIMITED
 63 BIRCH STREET, SEAFORTH ONTARIO
 N0K 1W0 CANADA
 PHONE (519) 527-0987
 FACSIMILE (519) 527-2325
 designconcrete.ca

JOB NUMBER

DRAWING NUMBER
S1



FRONT VIEW



REAR VIEW

TITLE
TRANSPARENT PANEL WITH CONCRETE FRAME

PROJECT
SOUND BY DESIGN NOISE BARRIER SHOP DRAWINGS

DATE JULY 09.10	DRAWN BY GKH	CHECKED BY	REVISED
--------------------	-----------------	------------	---------



 **DESIGN CONCRETE SYSTEMS LIMITED**
63 BIRCH STREET, SEAFORTH ONTARIO
N0K 1W0 CANADA
PHONE (519) 527-0987
FACSIMILE (519) 527-2325
designconcrete.ca

JOB NUMBER

DRAWING NUMBER
S2